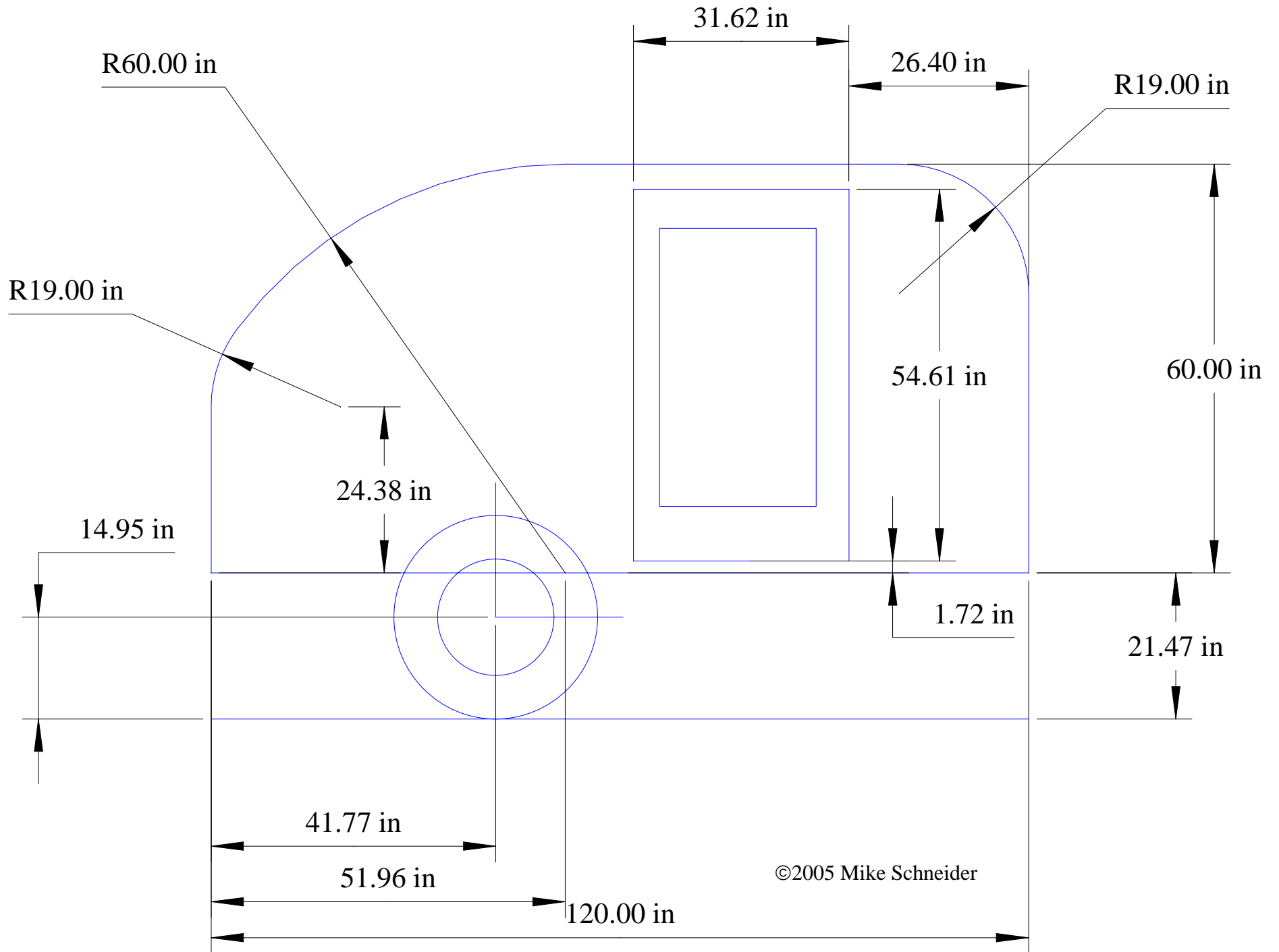


Baja Benroy Basic Layout (Reverse Engineer)



©2005 Mike Schneider