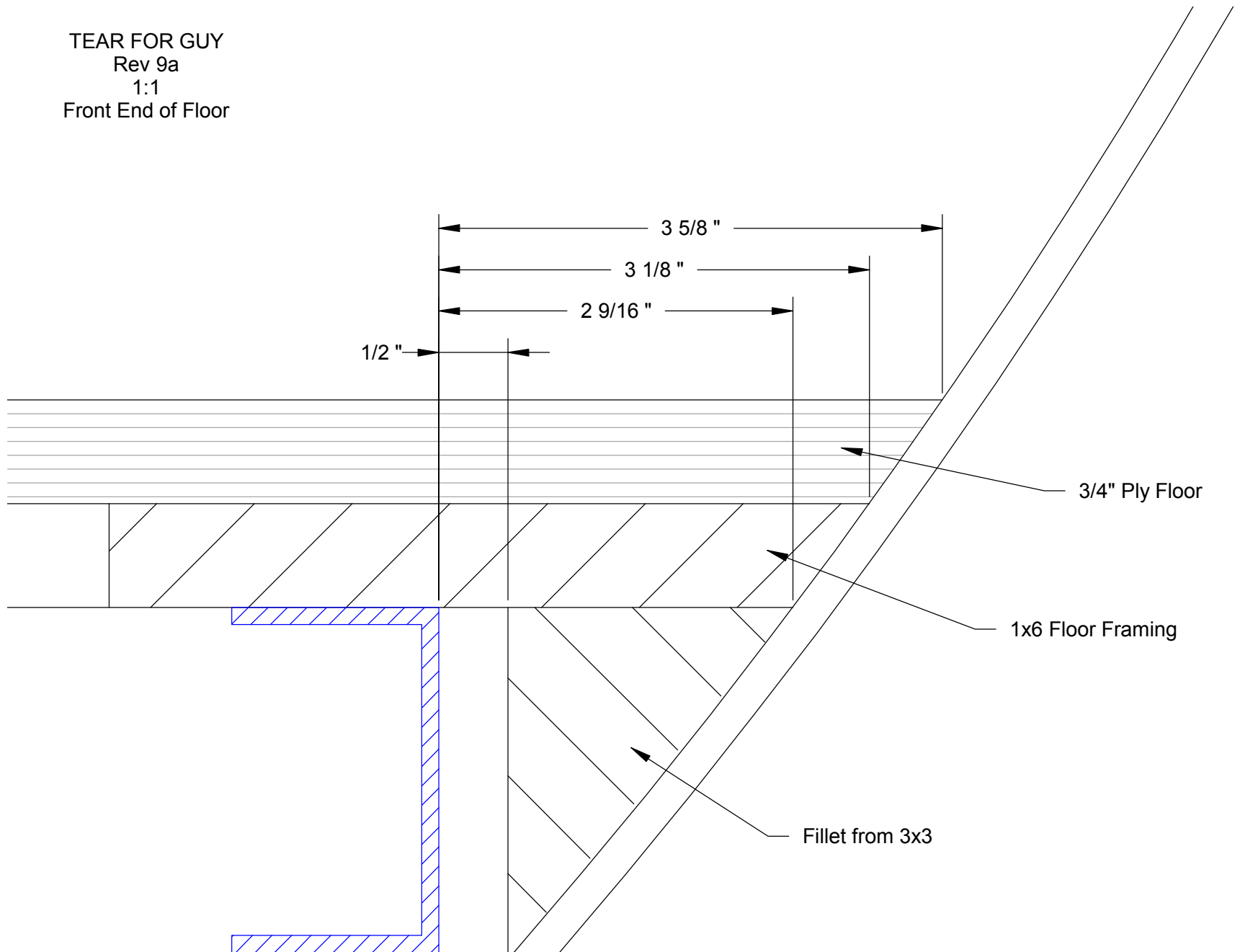
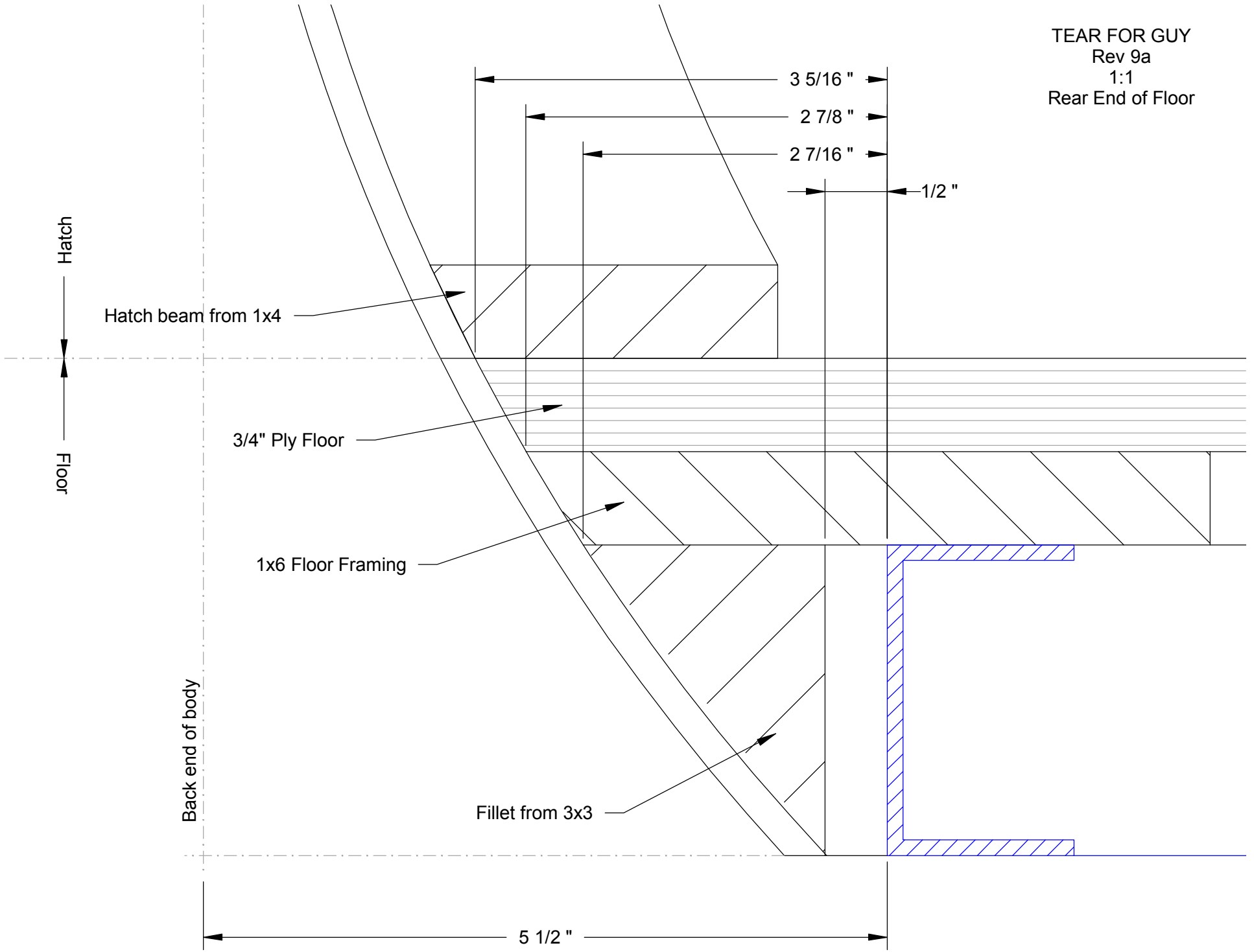


TEAR FOR GUY
Rev 9a
1:1
Front End of Floor



TEAR FOR GUY
Rev 9a
1:1
Rear End of Floor



Hatch

Floor

Hatch beam from 1x4

3/4" Ply Floor

1x6 Floor Framing

Fillet from 3x3

Back end of body

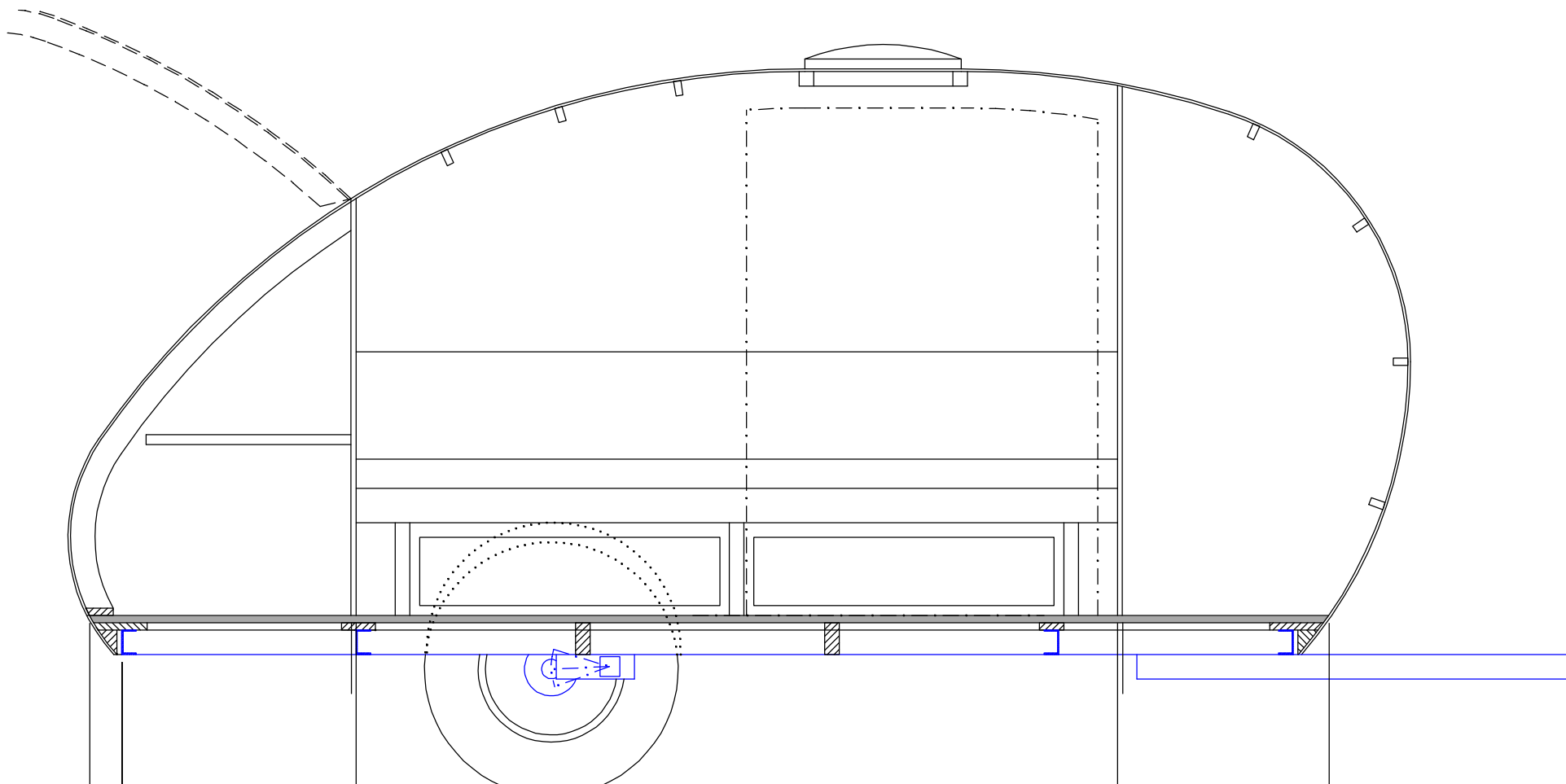
$5 \frac{1}{2}$ "

$3 \frac{5}{16}$ "

$2 \frac{7}{8}$ "

$2 \frac{7}{16}$ "

$\frac{1}{2}$ "



3 5/16 "

24 "

102 "

123 5/8 "

Measurement datum is
back face of trailer frame

TEAR FOR GUY
Rev 9a
1:16