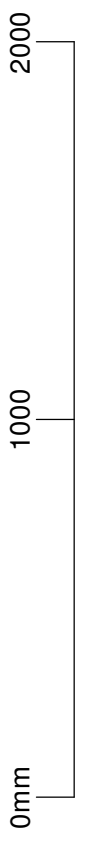
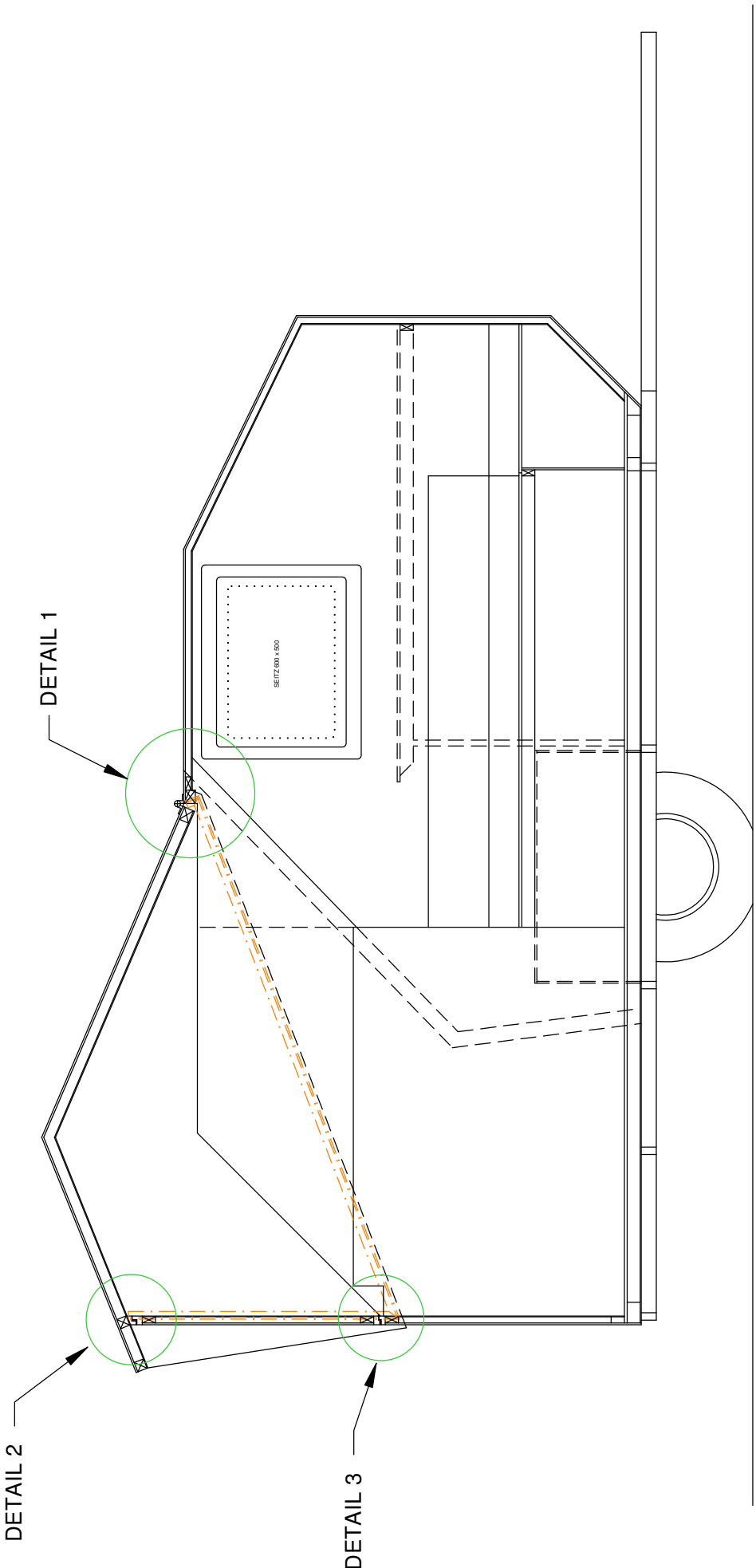


SECTION AND REAR VIEW

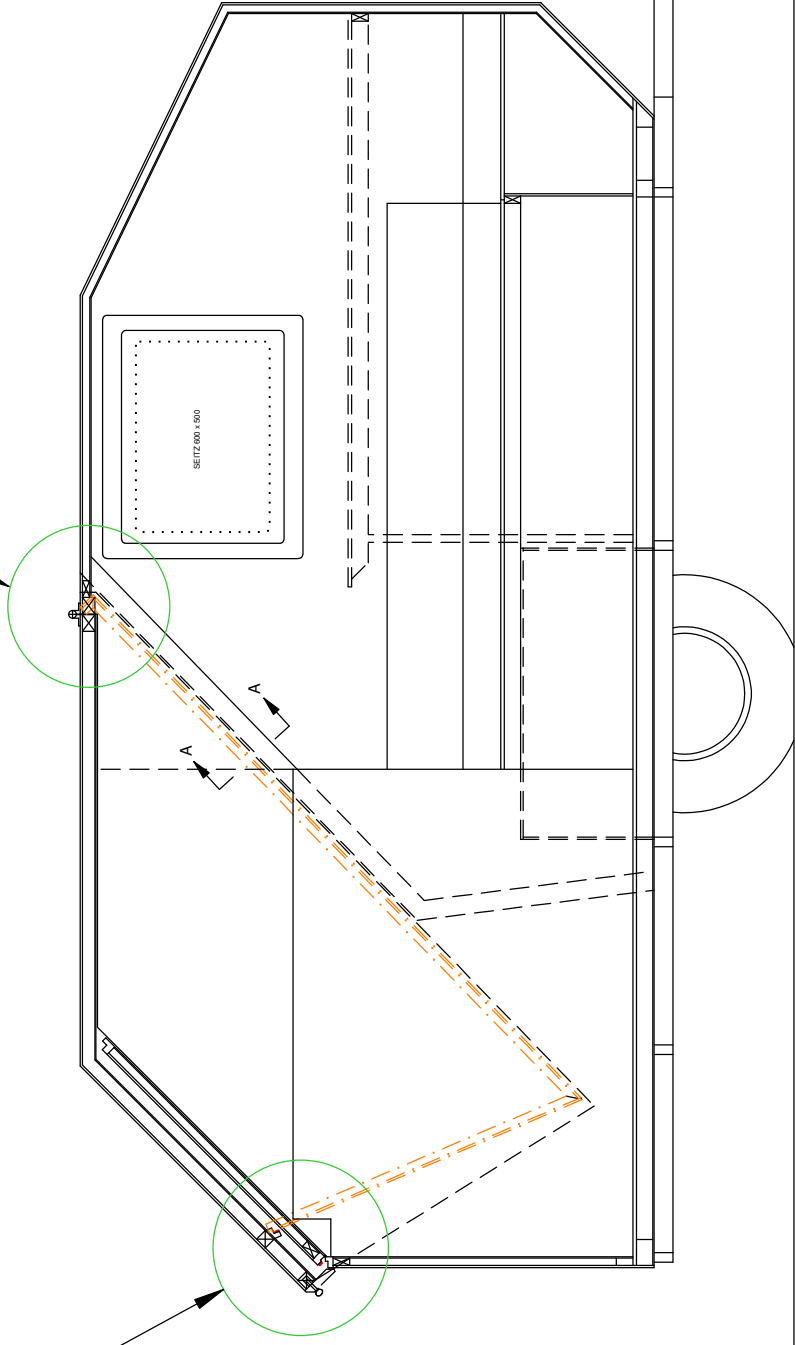




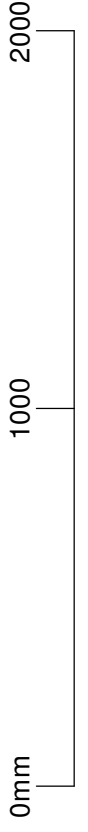
SECTION, TOP UP

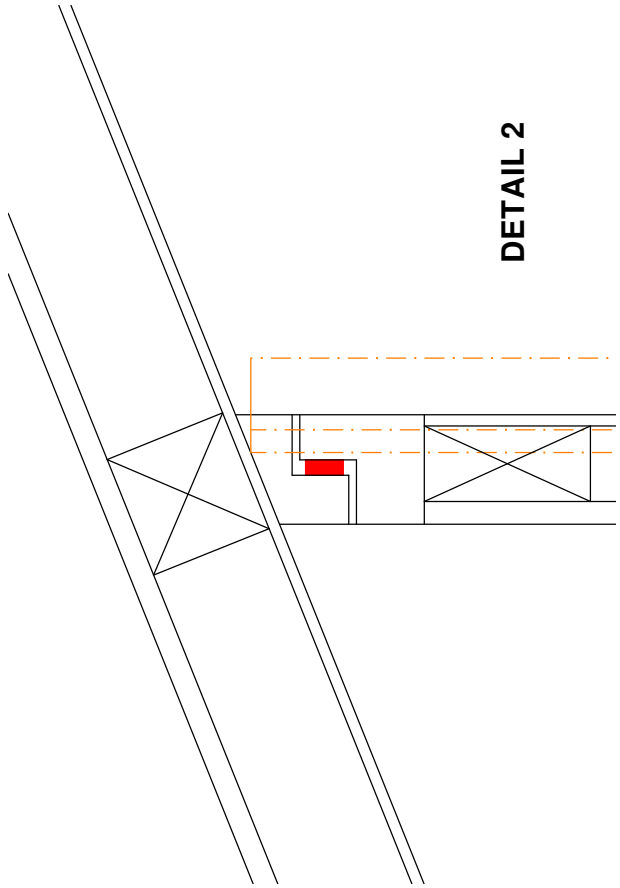
DETAIL 4

DETAIL 5

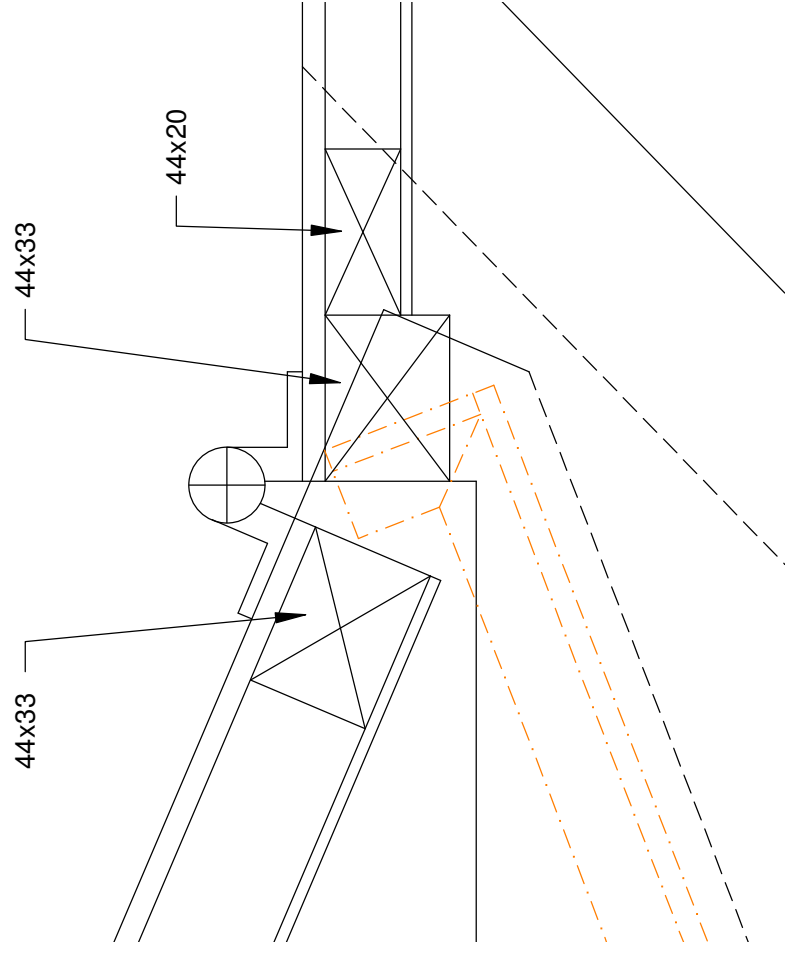


SECTION, TOP DOWN

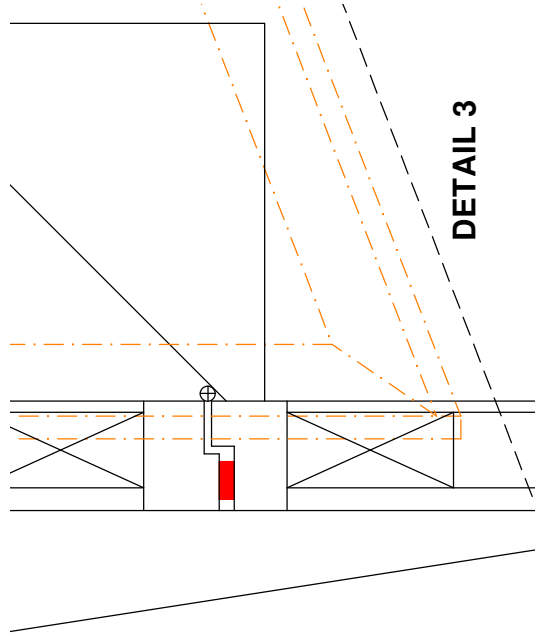




DETAIL 2



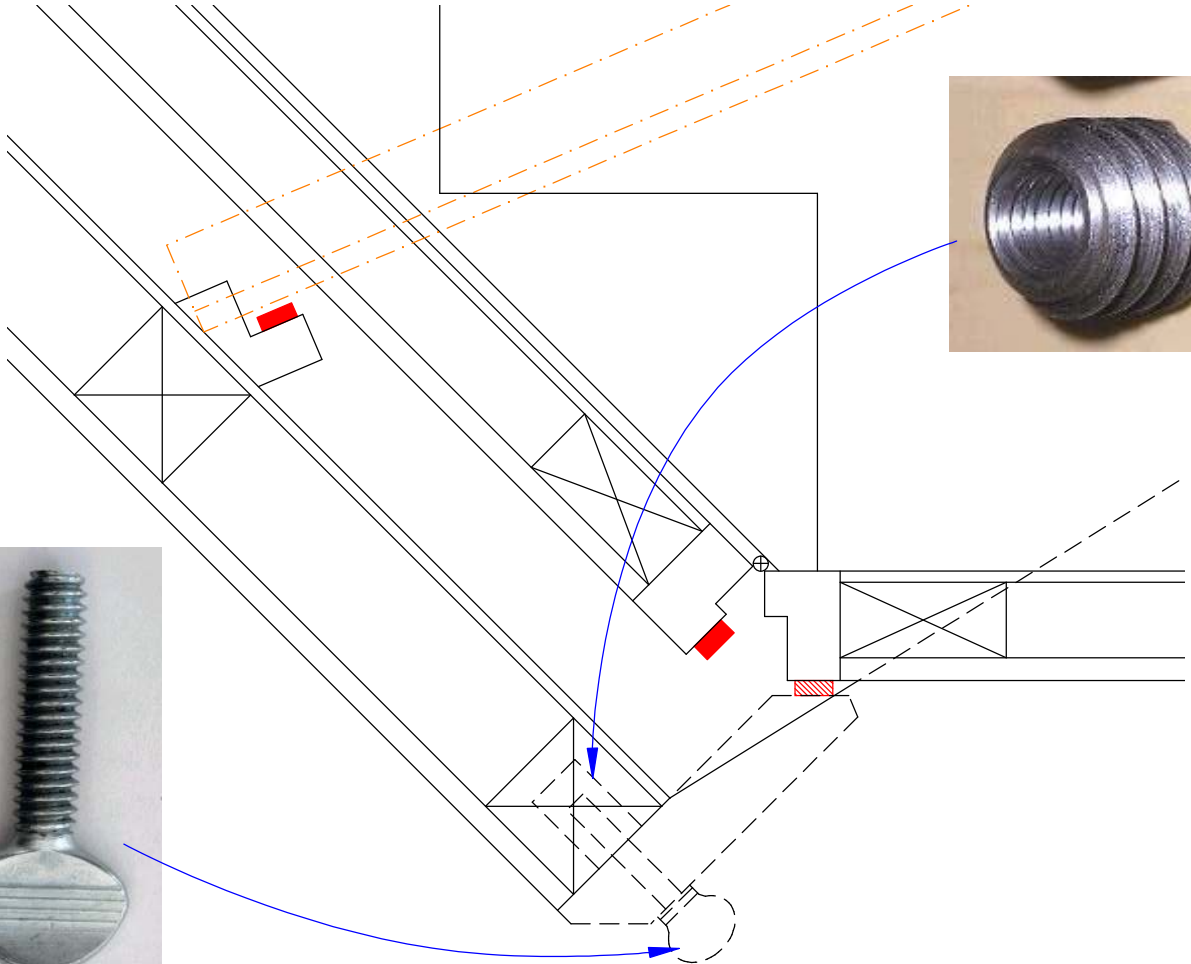
DETAIL 1



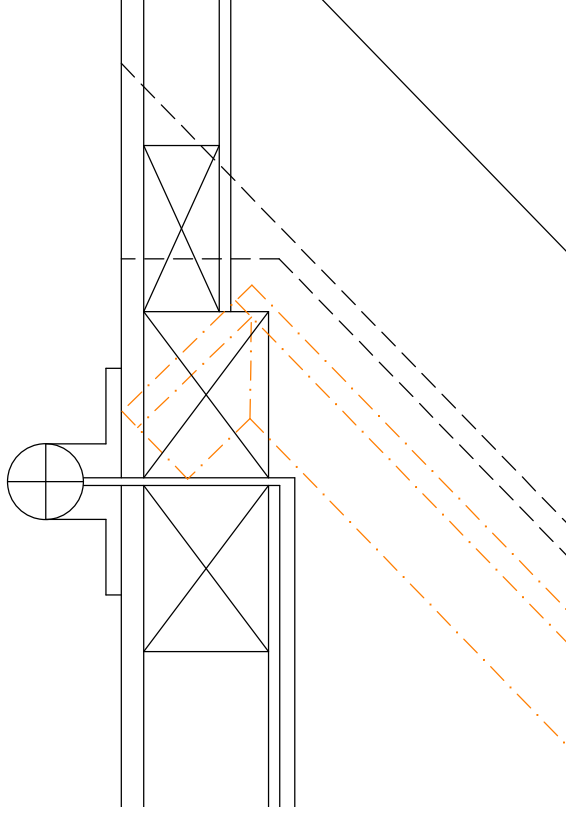
DETAIL 3

DETAILS



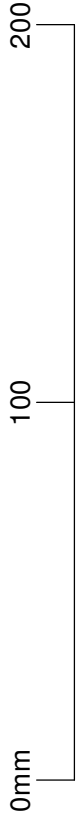


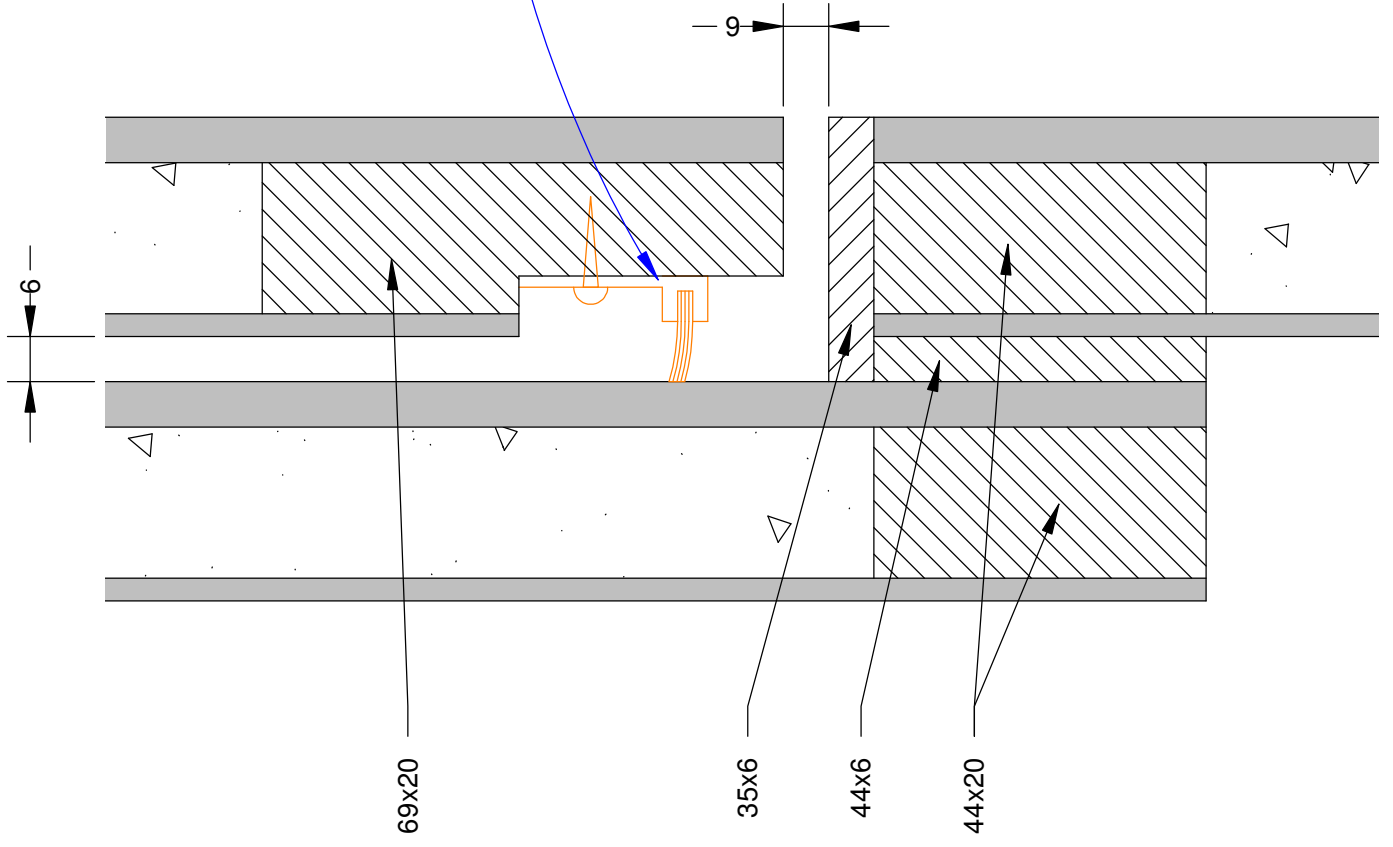
DETAIL 5



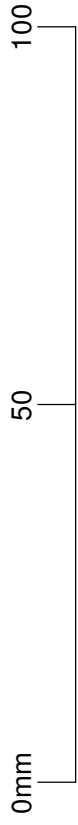
DETAIL 4

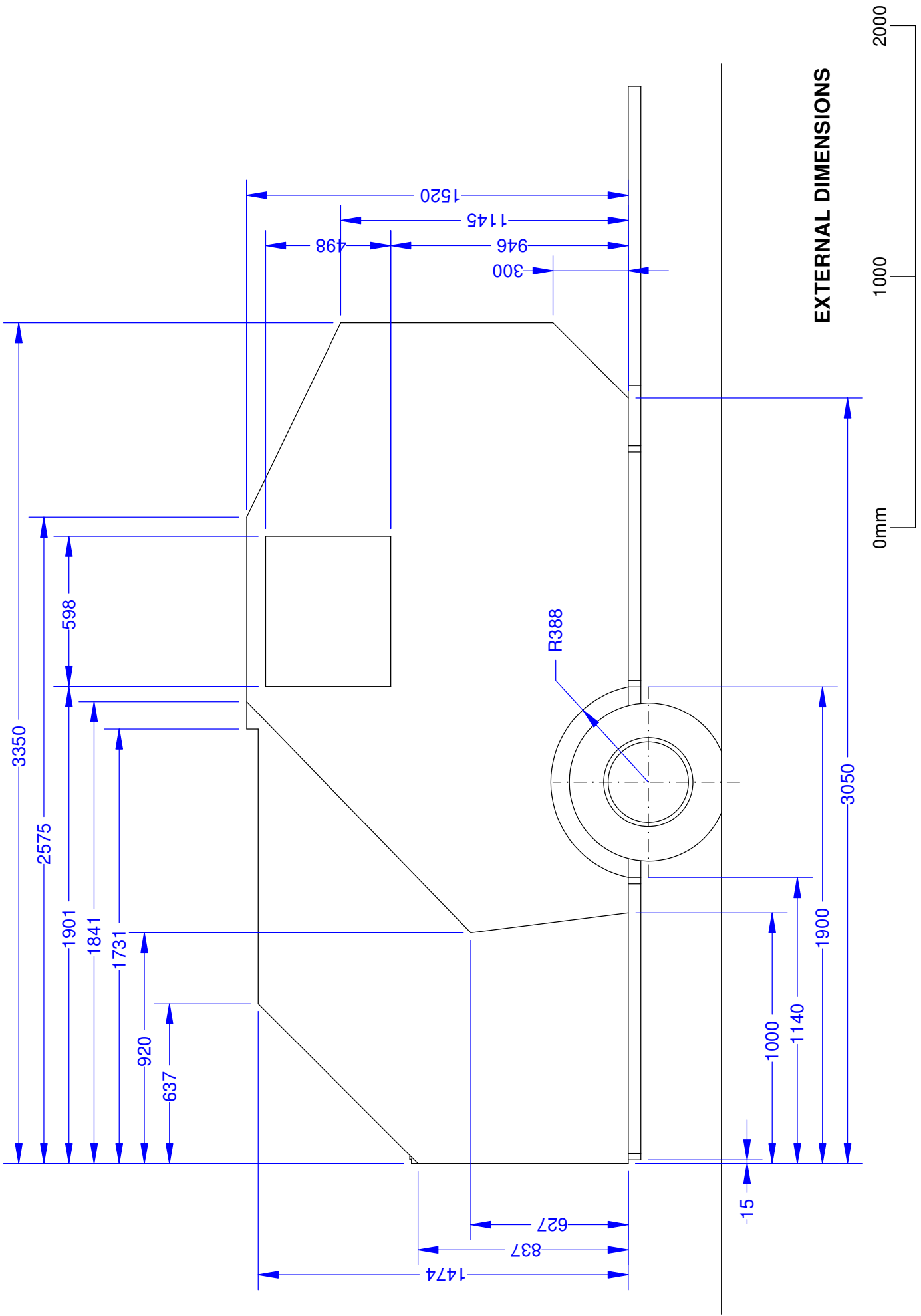
DETAILS

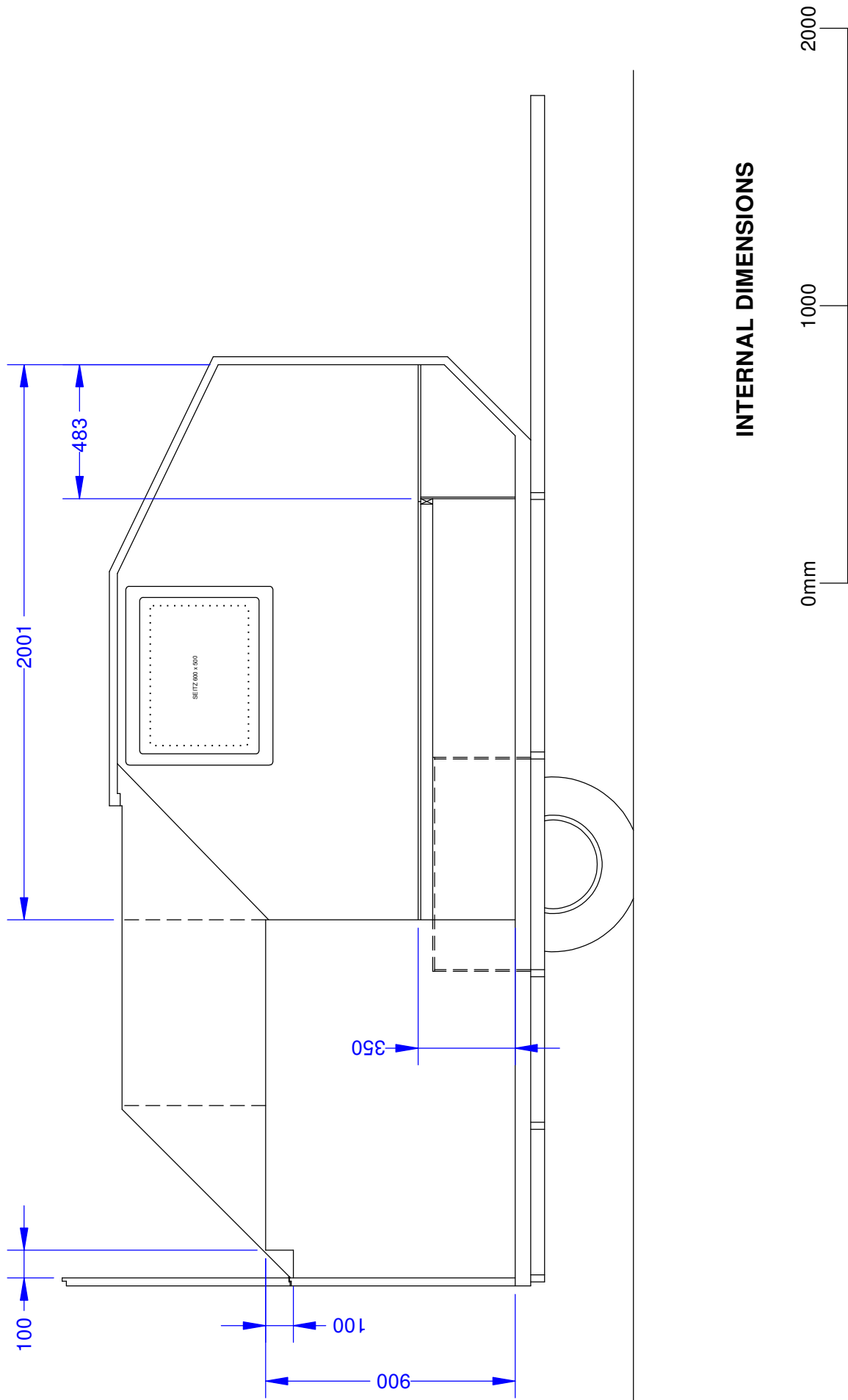




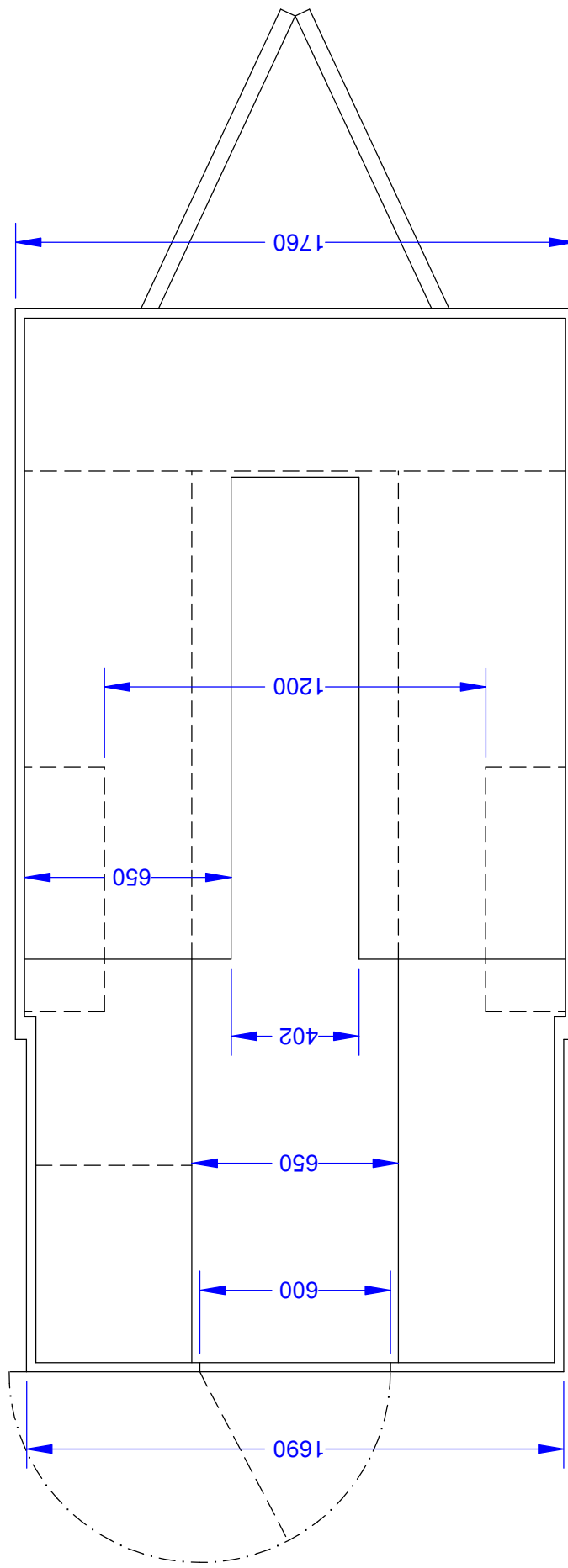
SECTION A-A



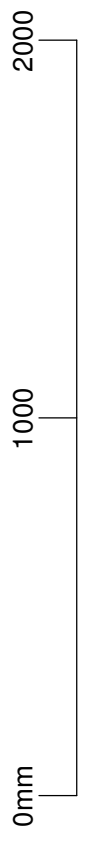


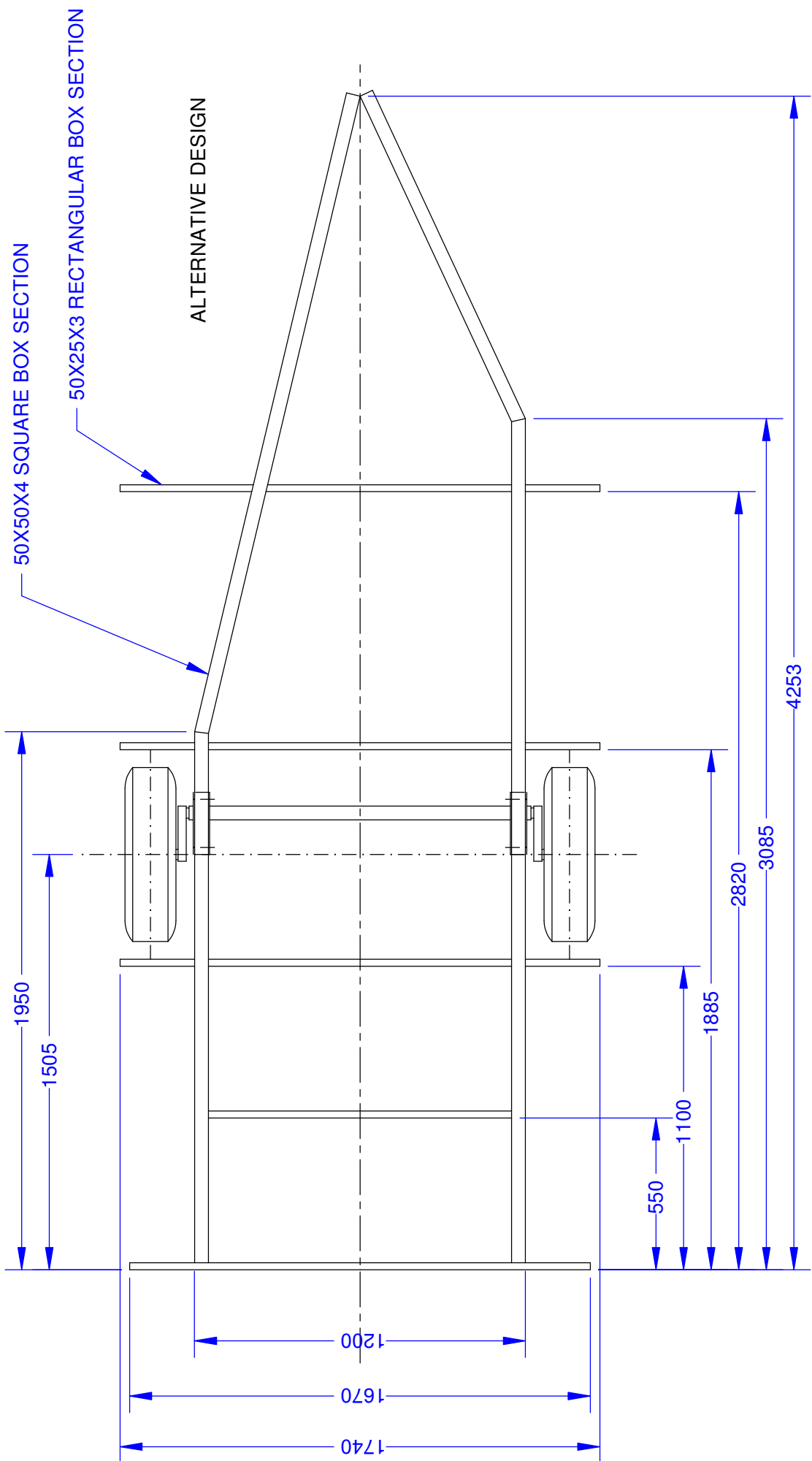


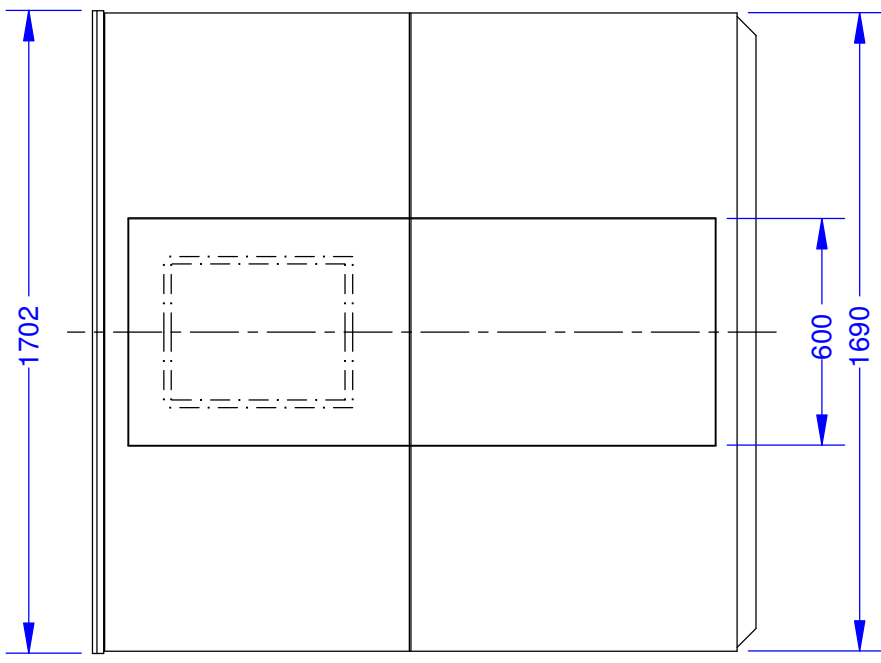
INTERNAL DIMENSIONS



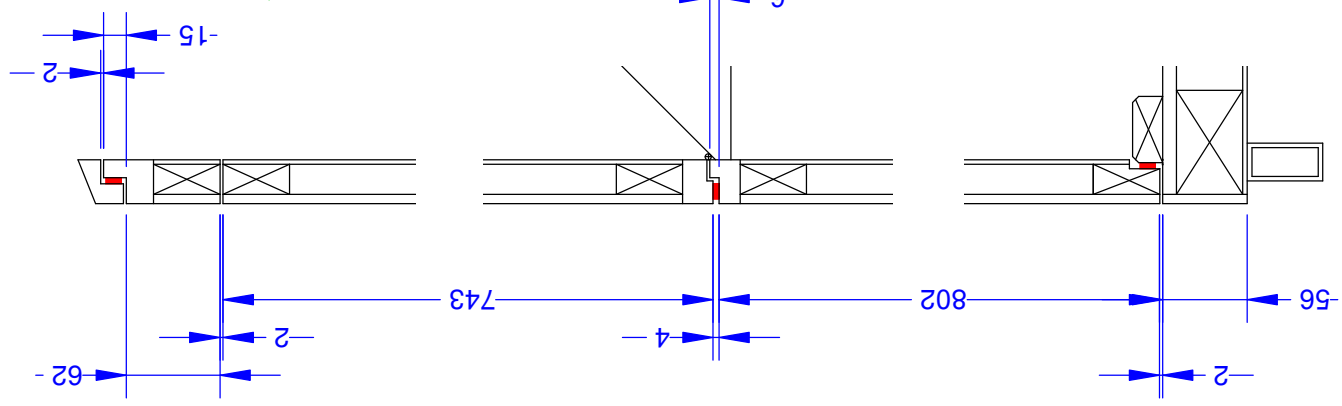
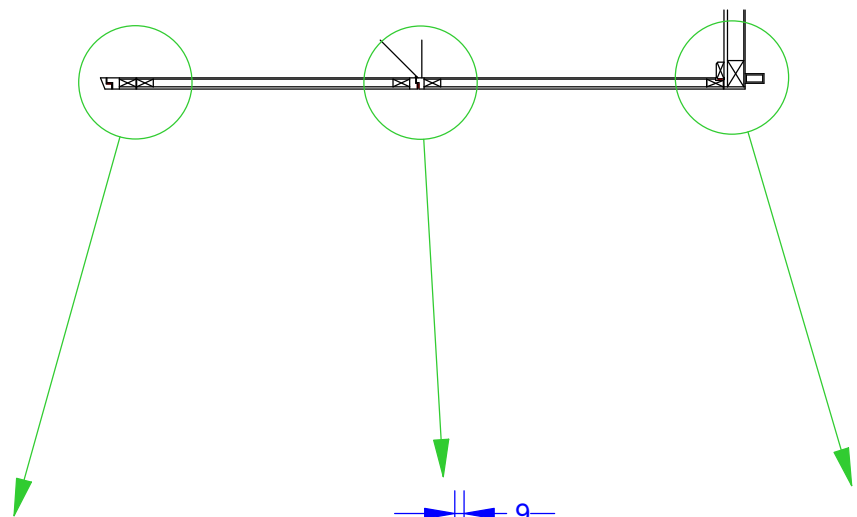
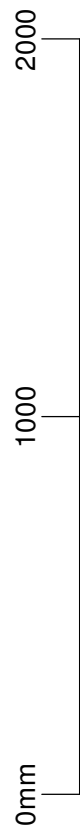
TRANSVERSE DIMENSIONS

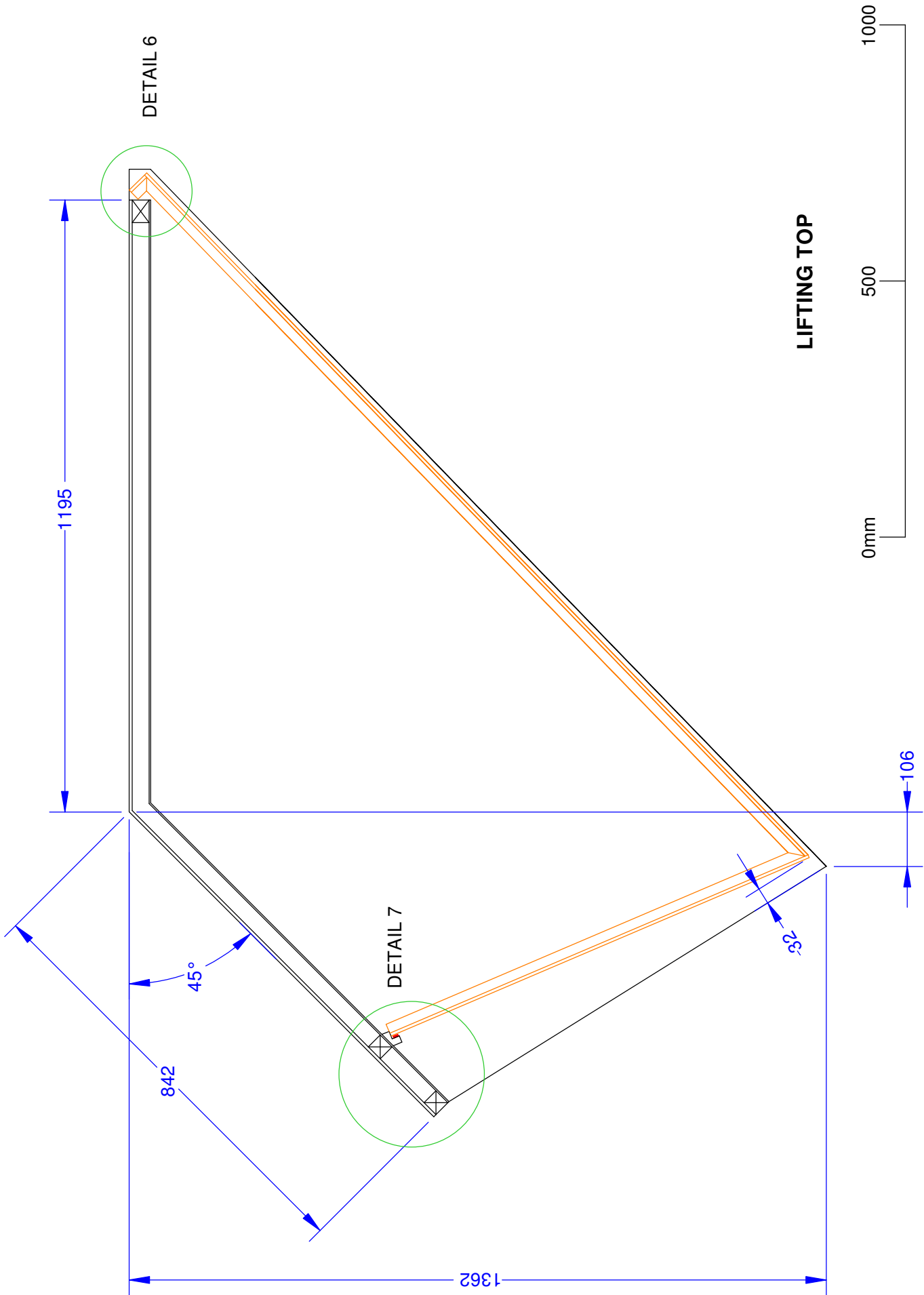


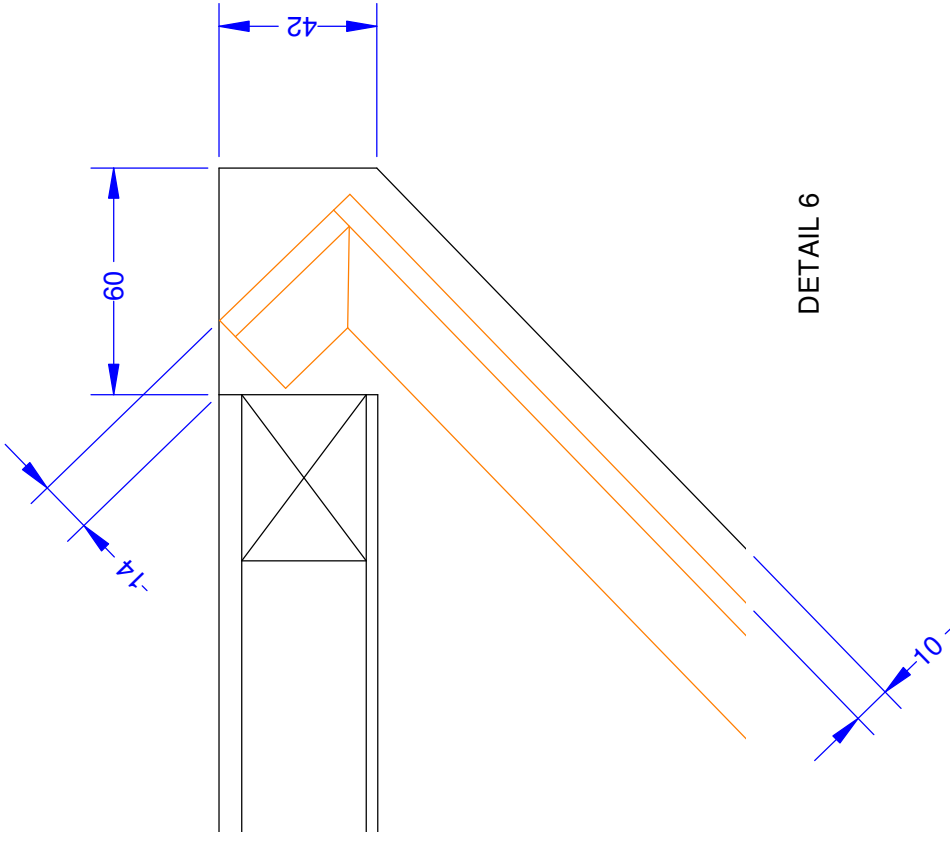




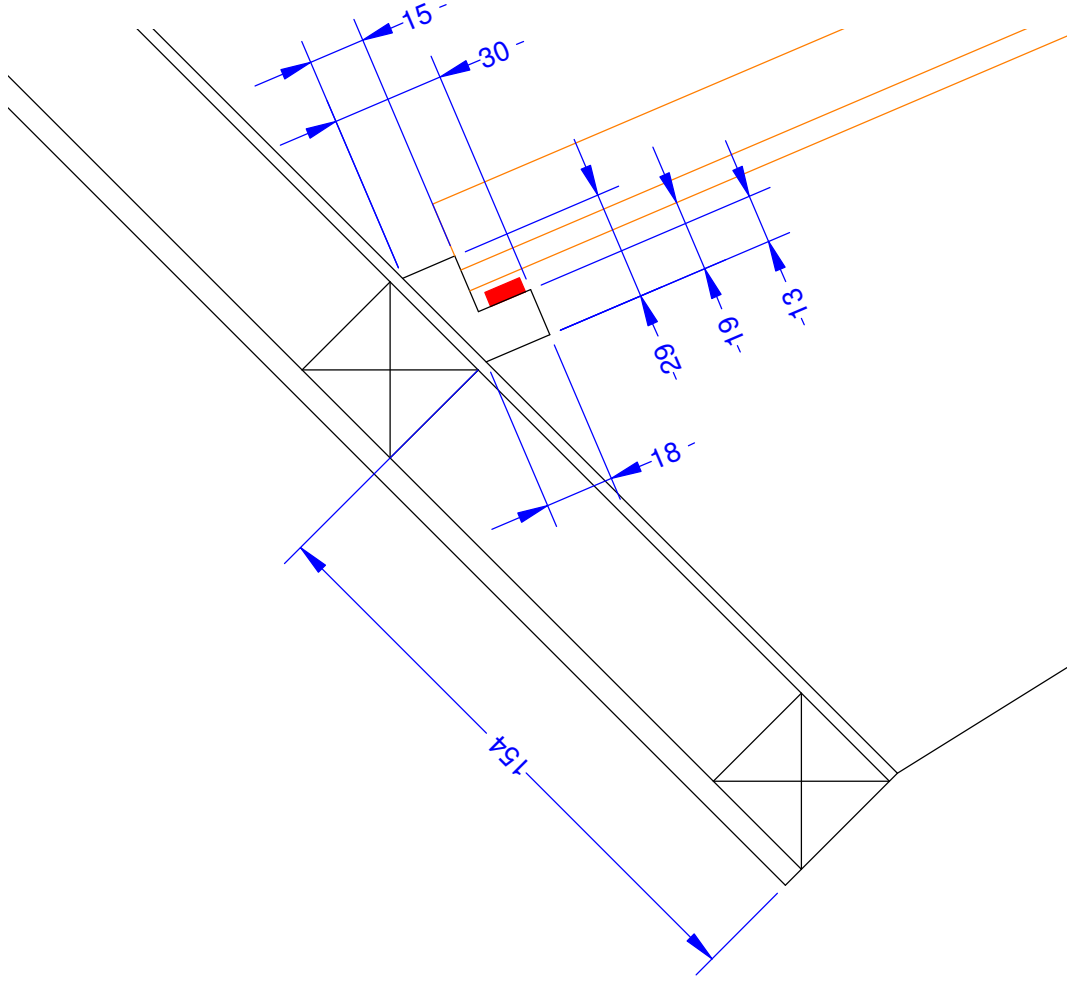
REAR BULKHEAD







DETAIL 6



DETAIL 7

LIFTING TOP DETAILS

