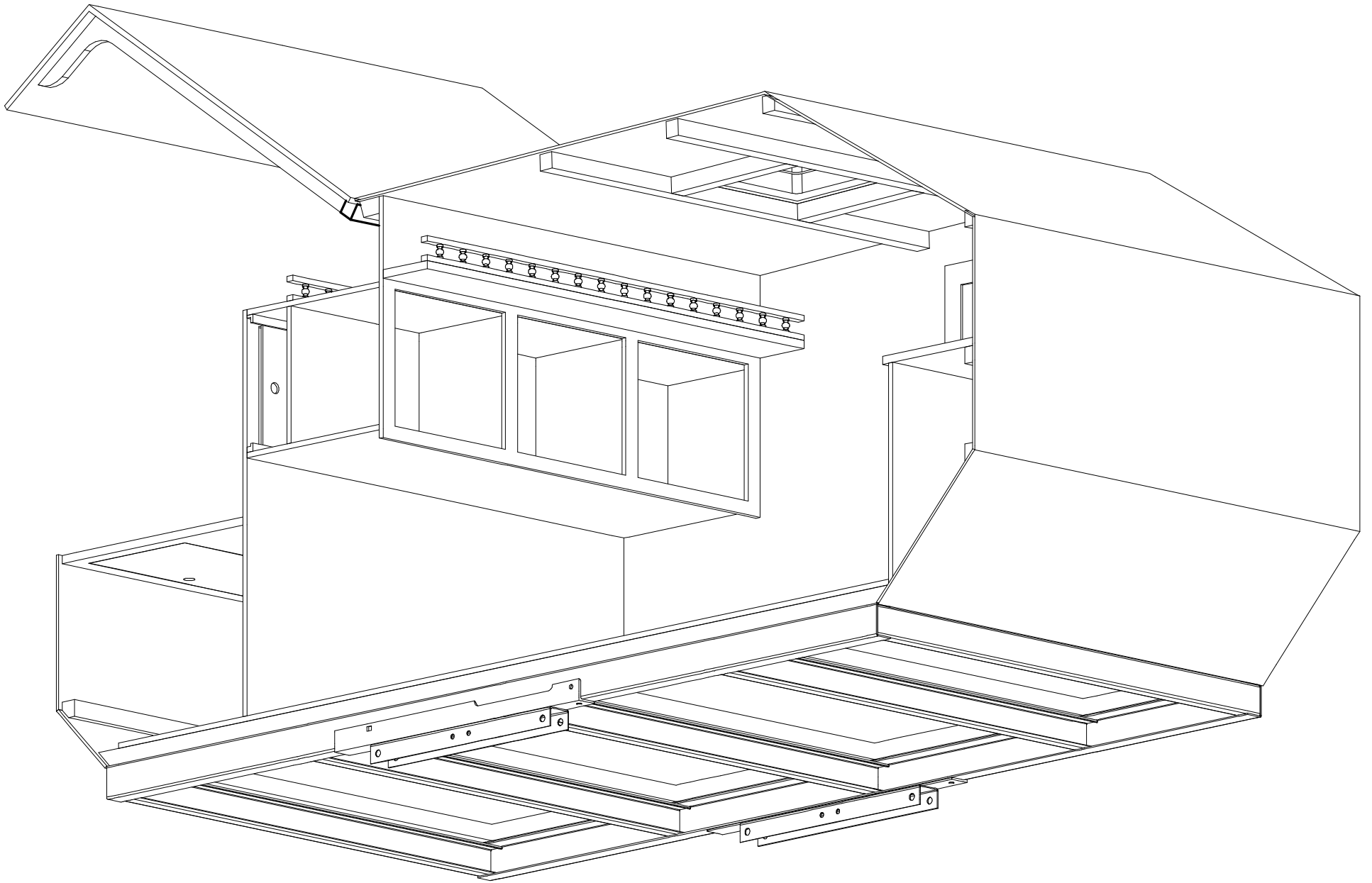


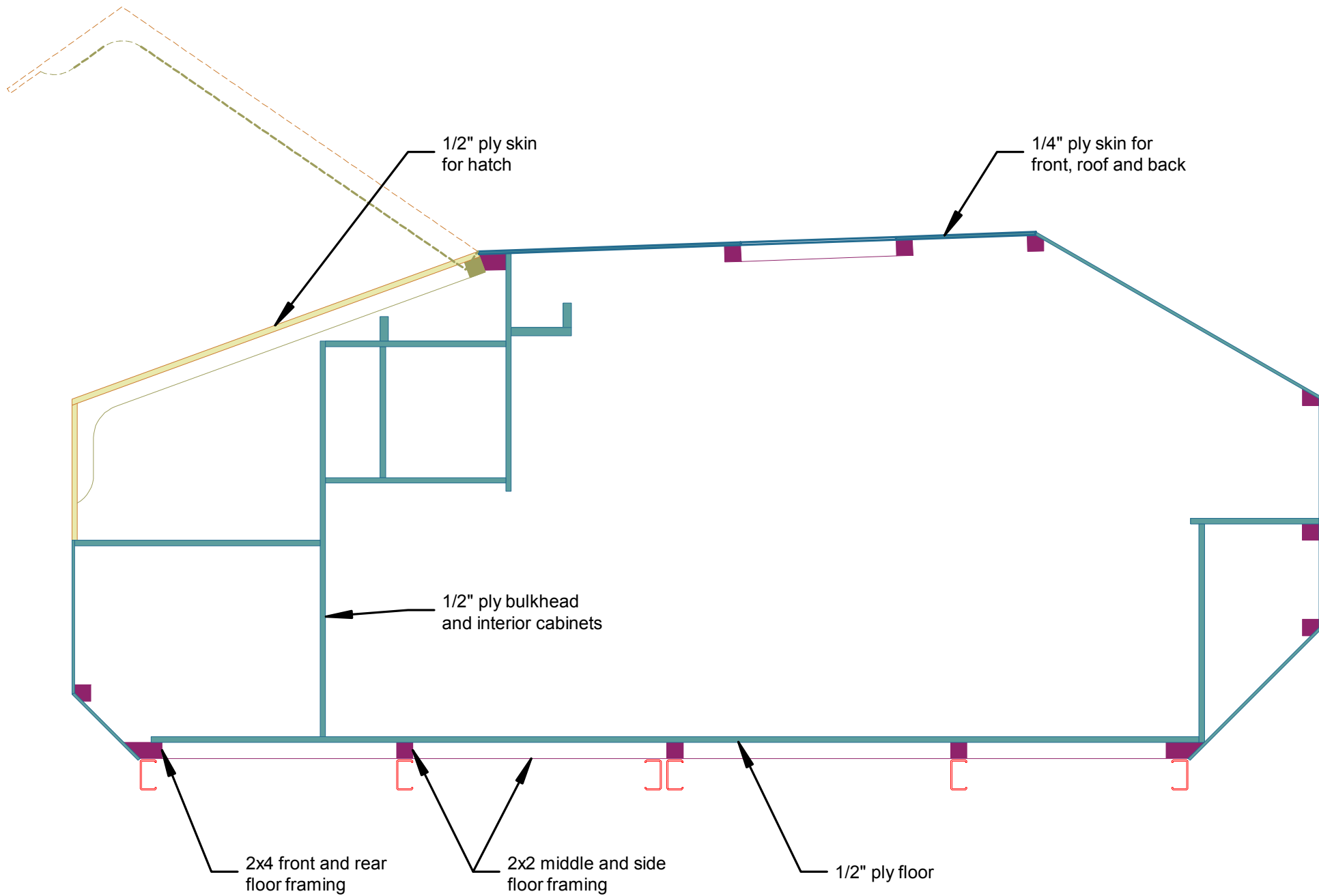
Note: Right sidewall and door omitted to show interior

WEEKENDER
General Layout

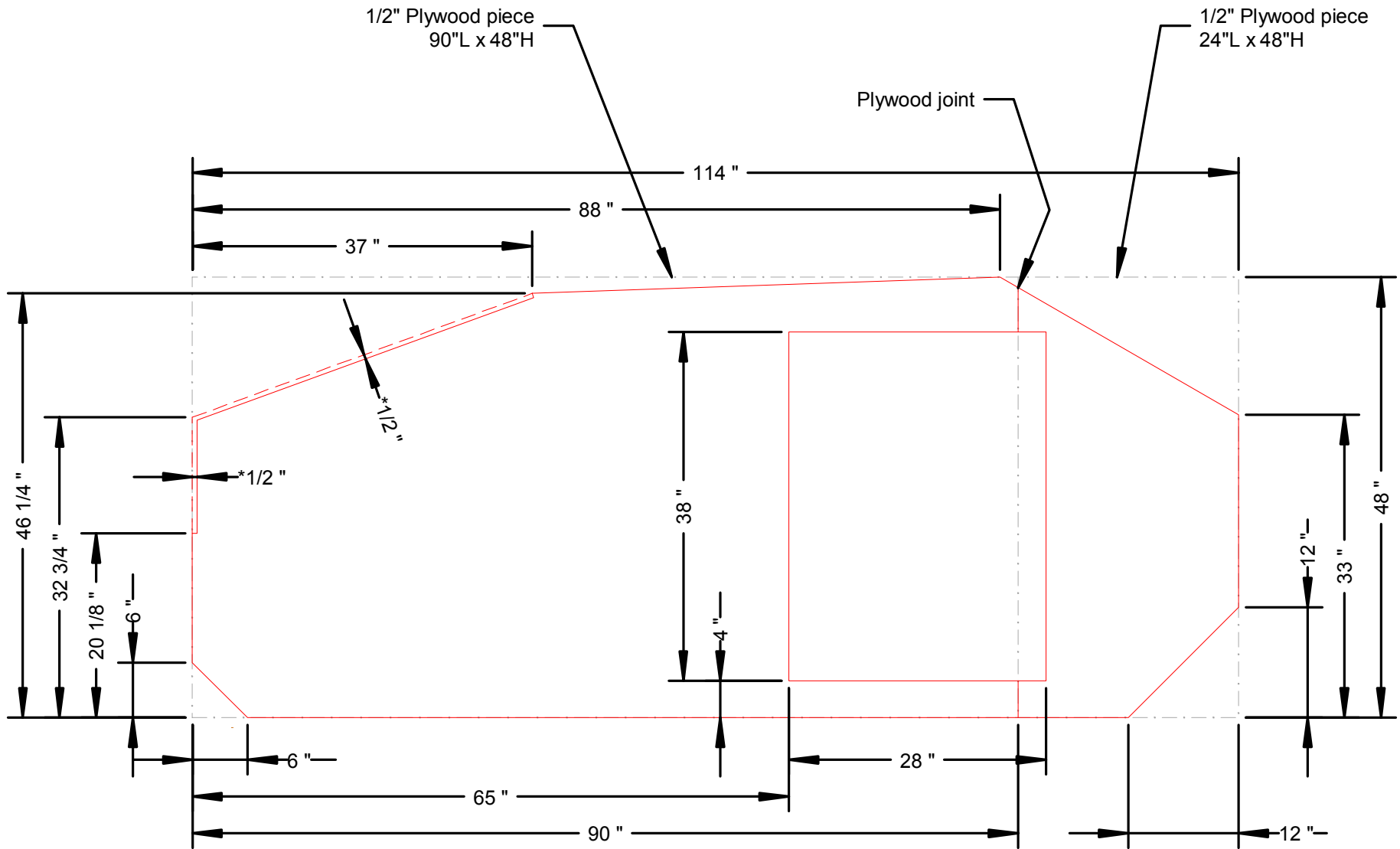


Note: Right sidewall and door omitted to show interior

WEEKENDER
General Layout

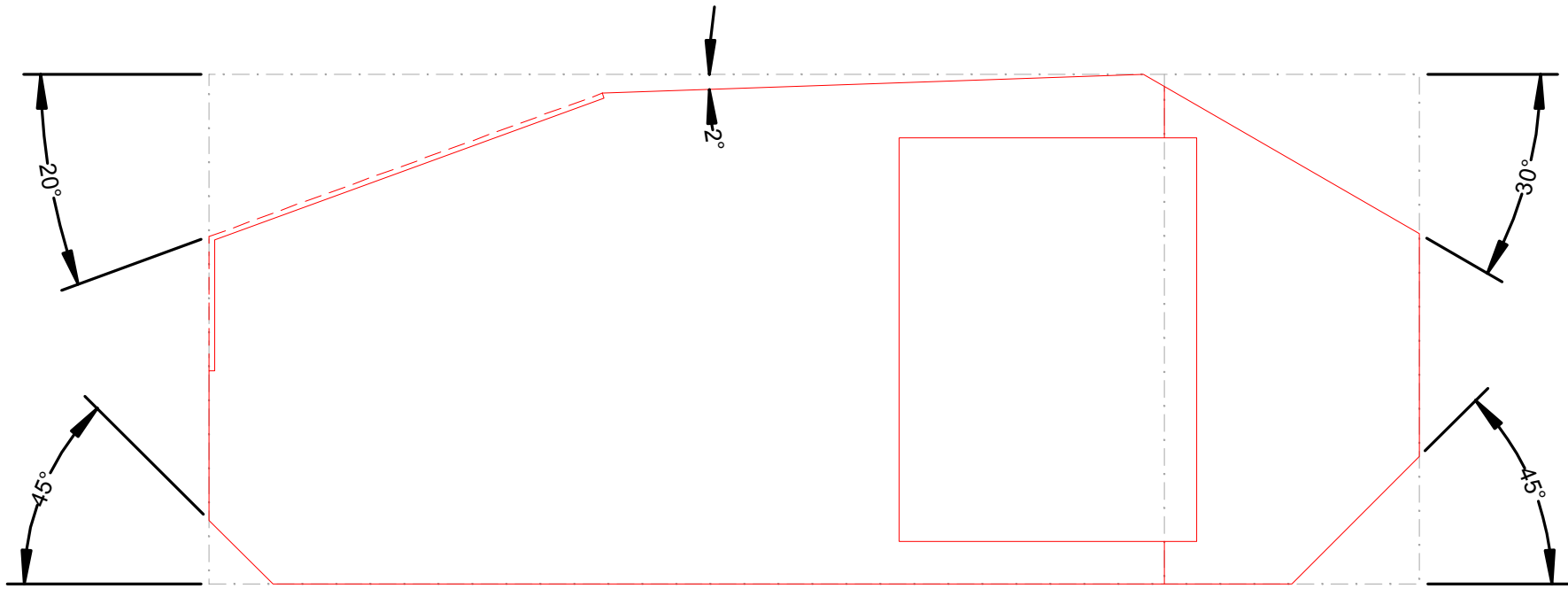


WEEKENDER
1:12 (at Letter)
Centerline Section



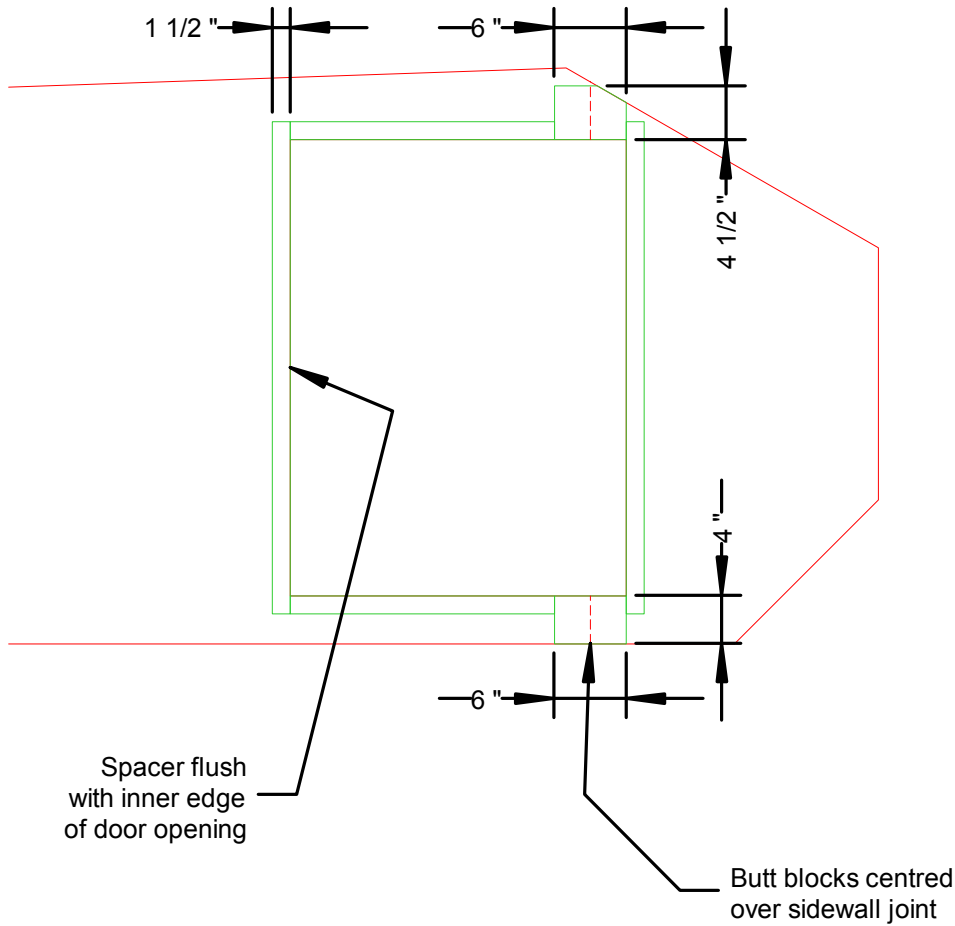
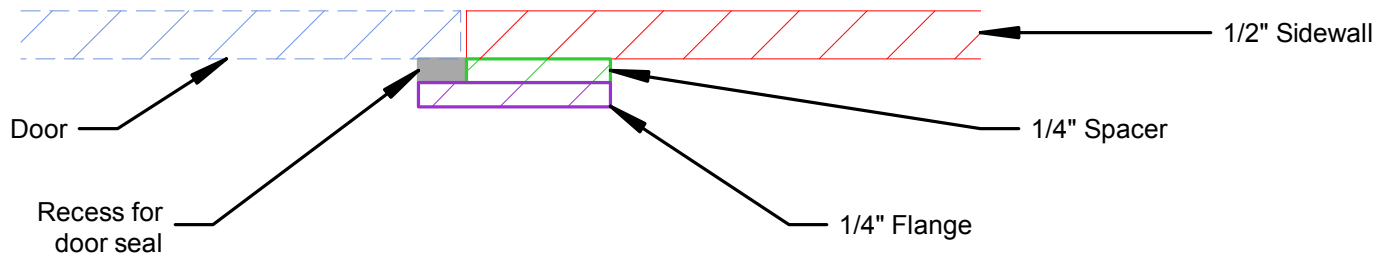
Note * 1/2" recess for hatch opening consists of 1/4" for hatch skin plus 1/4" space for seal

WEEKENDER
1:16 (at Letter)
Sidewall Geometry

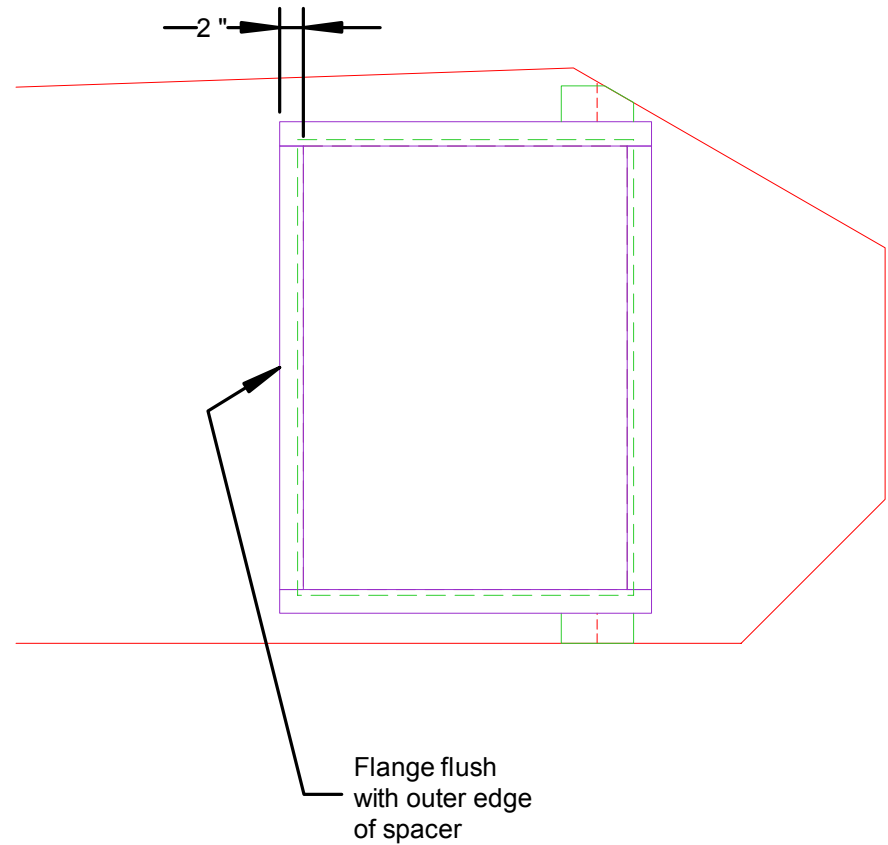


WEEKENDER
1:16 (at Letter)
Sidewall Angles

Typical section
through door frame
1:2

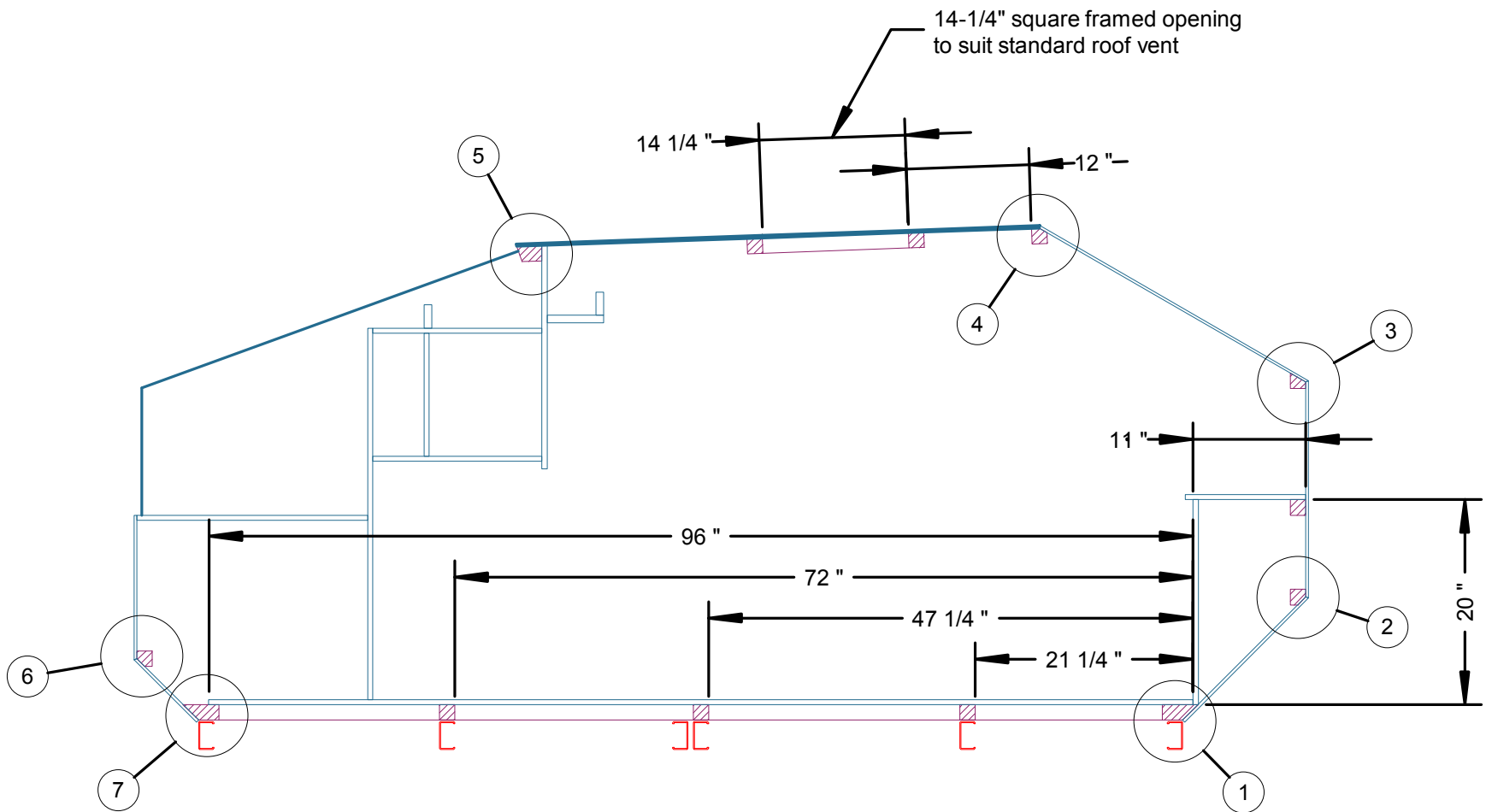


Step 1
Fit Spacer to Sidewall



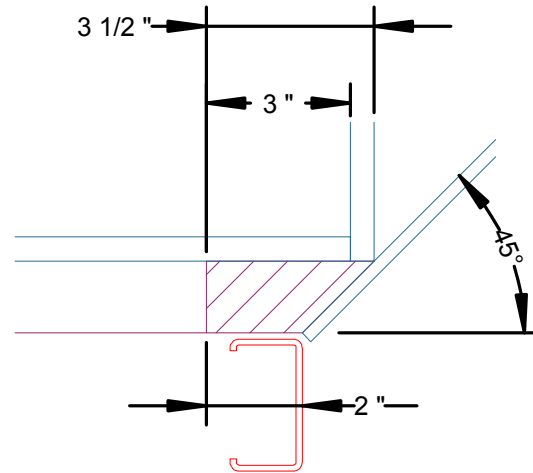
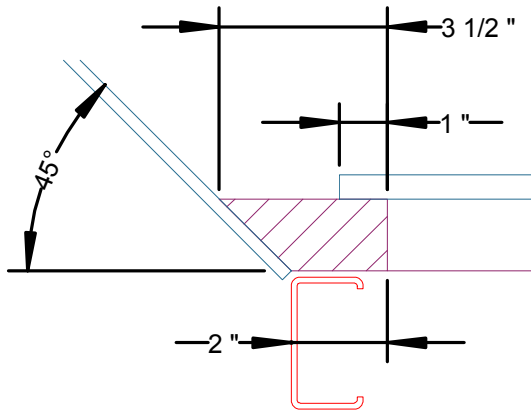
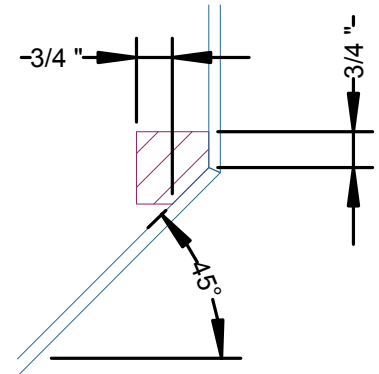
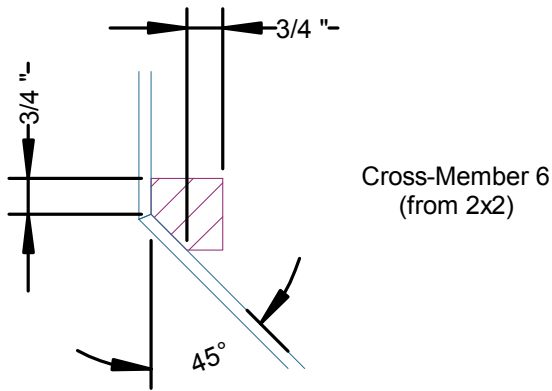
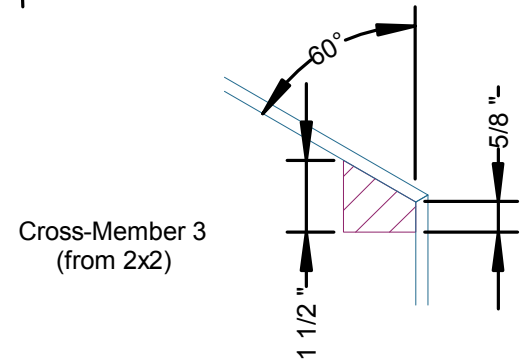
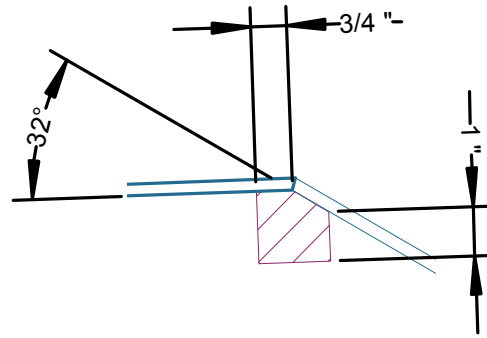
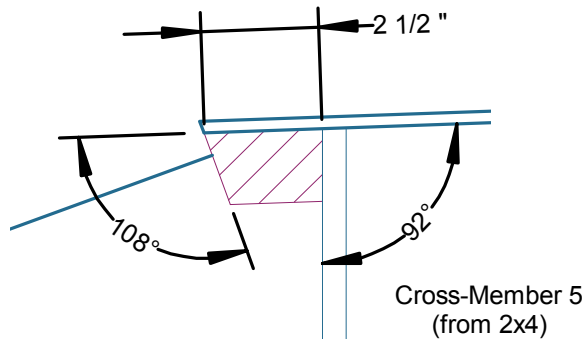
Step 2
Fit Flange to Spacer

WEEKENDER
1:16 (at Letter)
Door Opening



Note: See next sheet for cross-member details

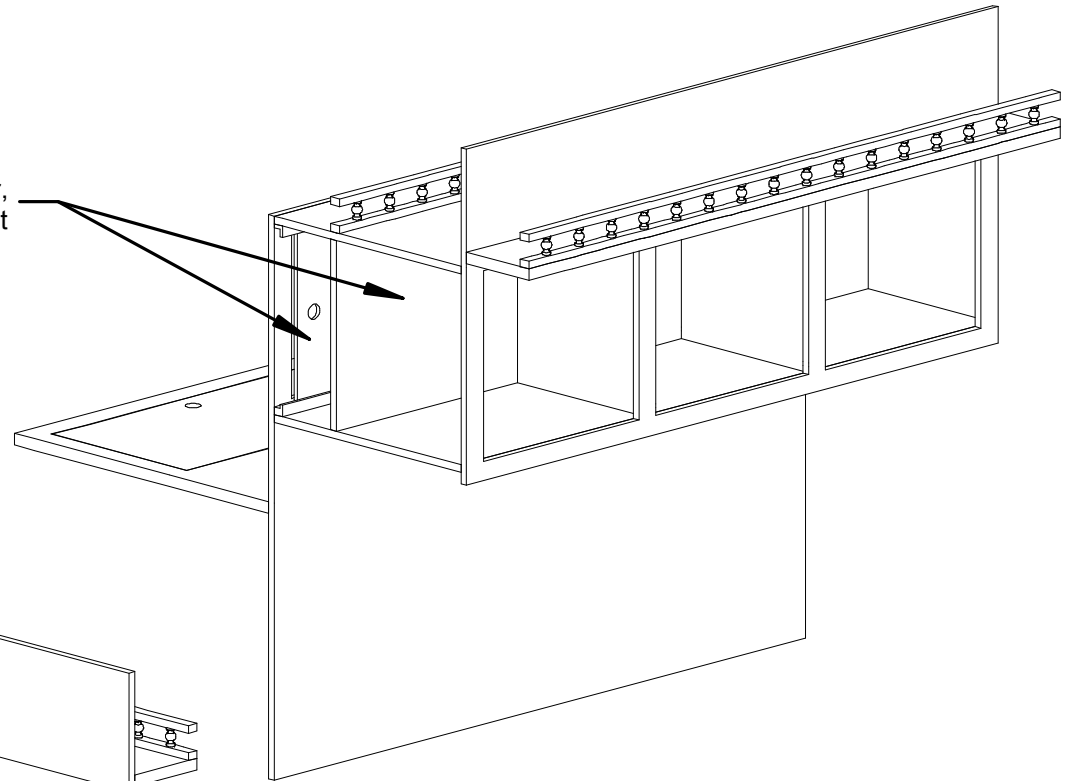
WEEKENDER
 1:16 (at Letter)
 Overall Construction



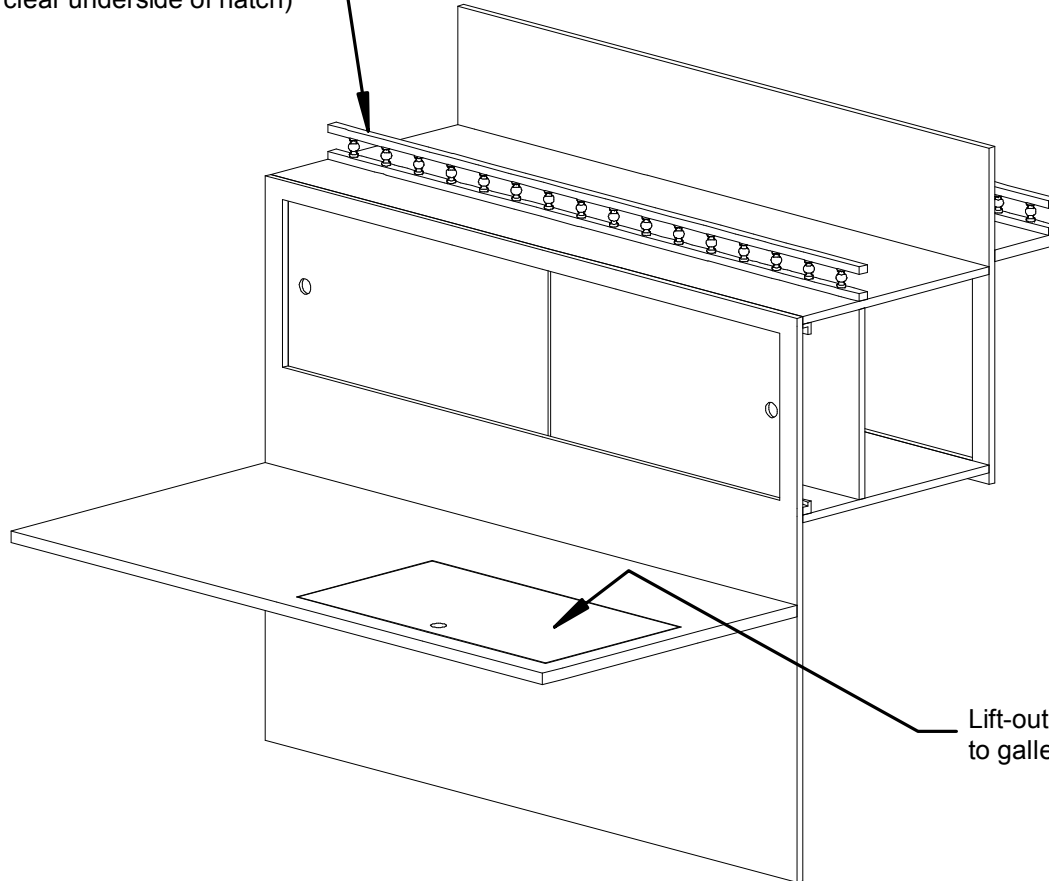
WEEKENDER
1:4 (at Letter)
Cross-Member Details

Shallow galley storage at rear,
deeper cabin/interior storage at front

Rail to keep items on shelf
(rail is in front of the edge
to clear underside of hatch)



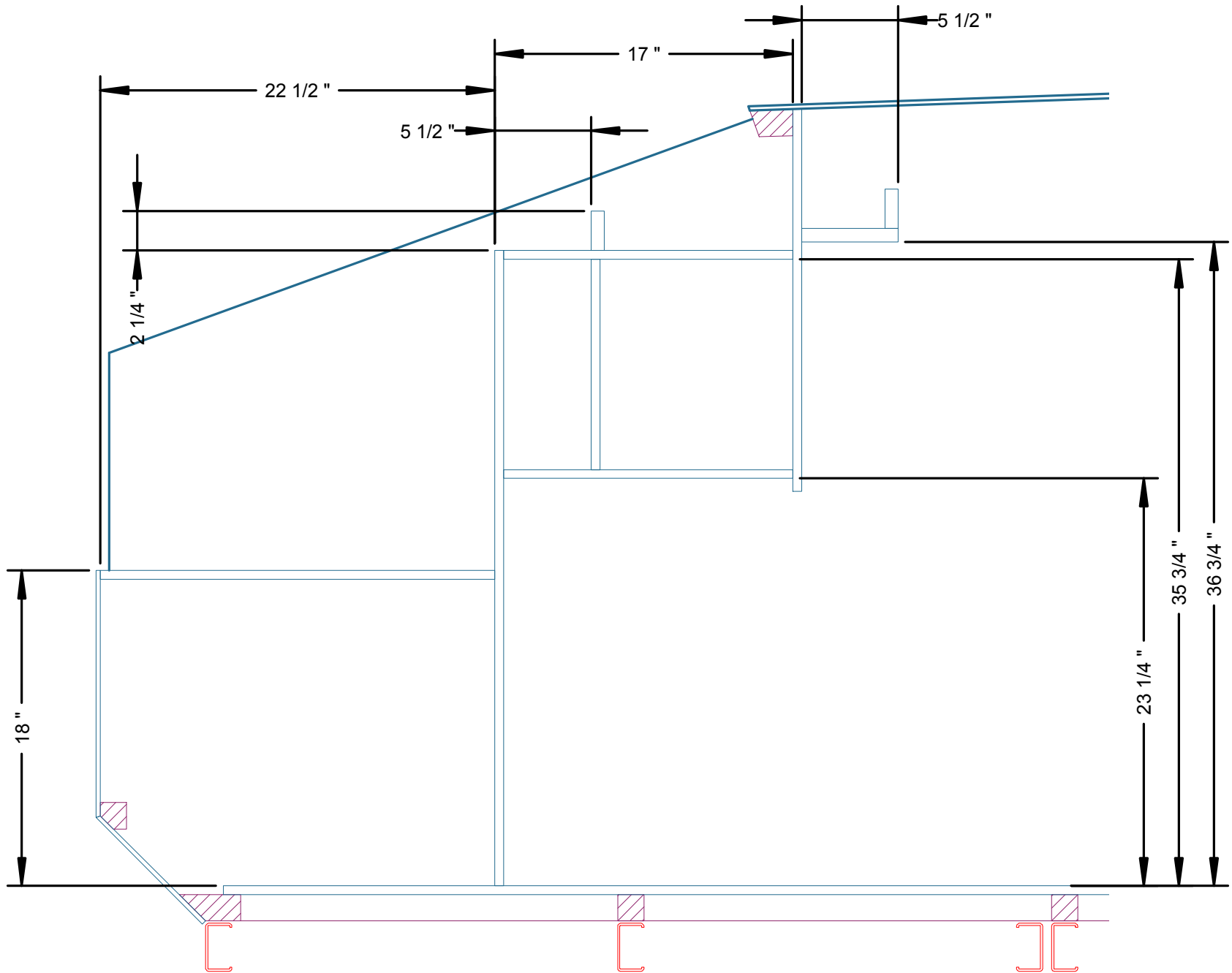
Looking from Front



Looking from Rear

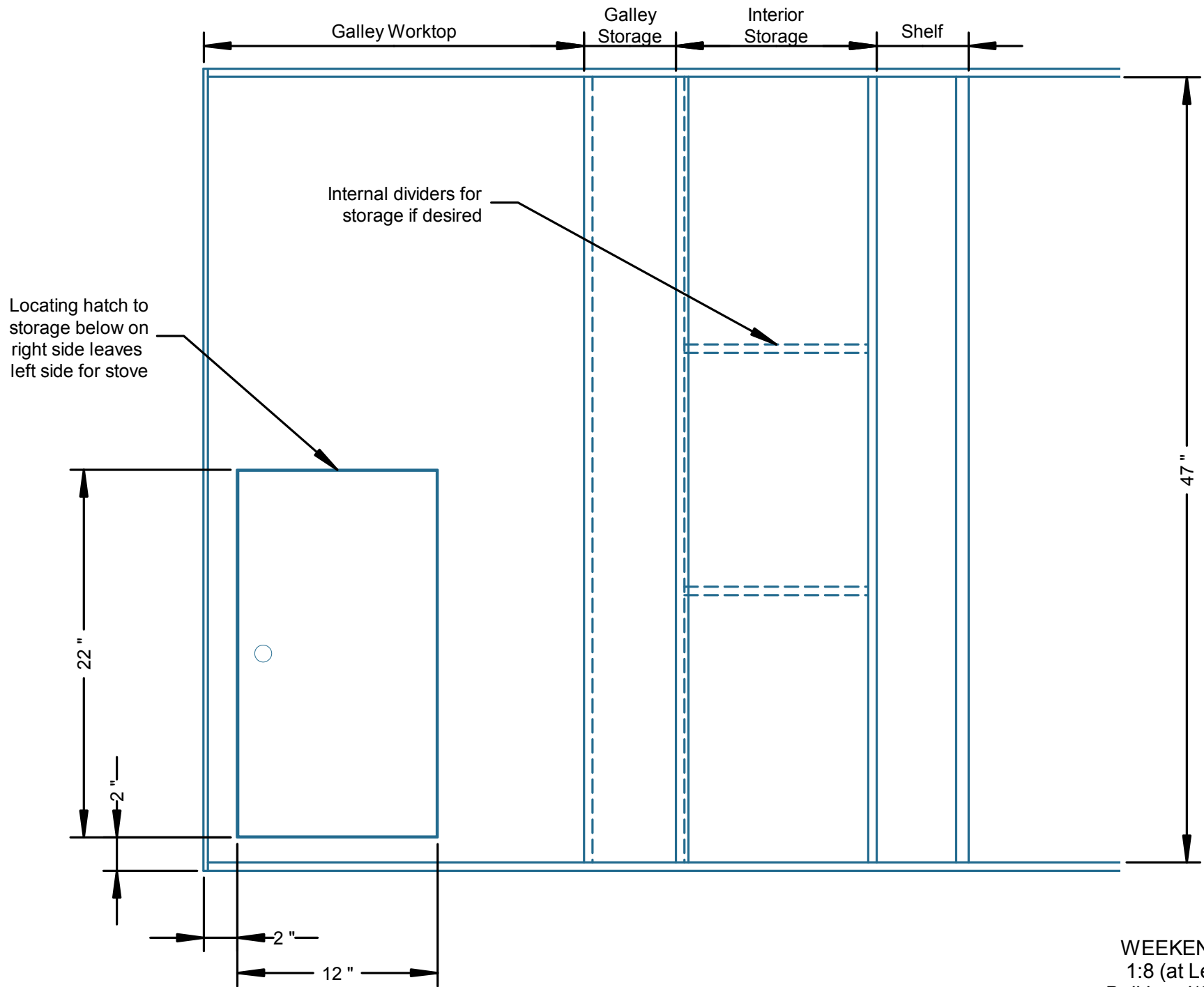
Lift-out panel provides access
to galley storage below

WEEKENDER
Bulkhead/Cabinet



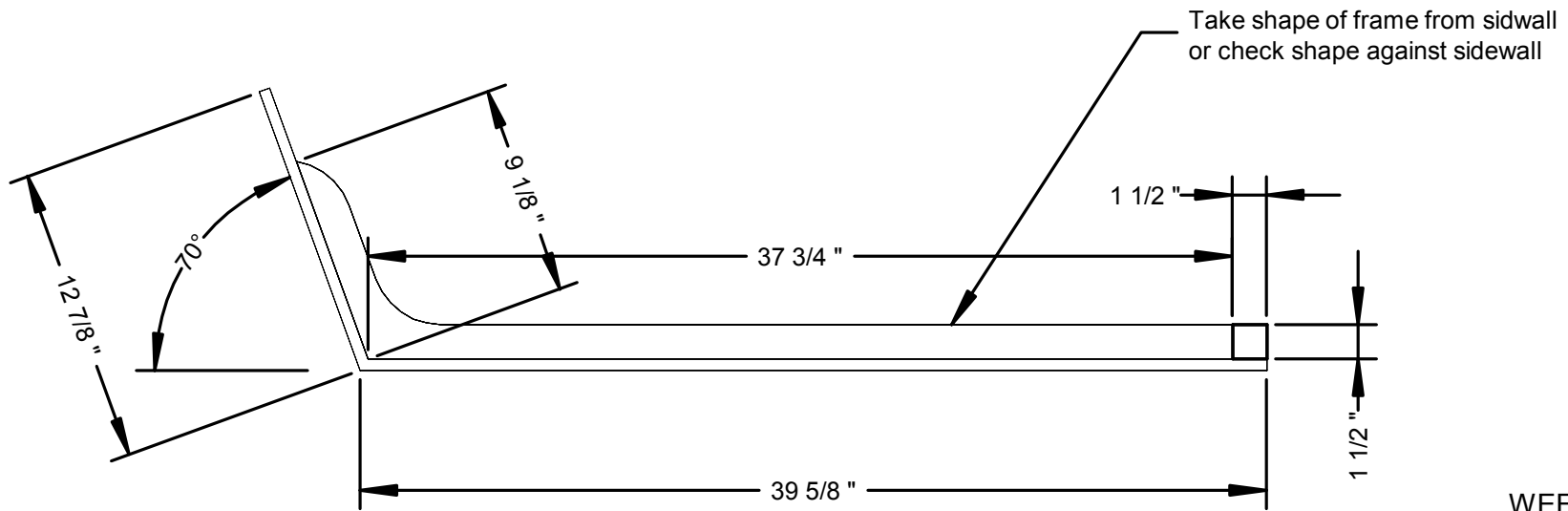
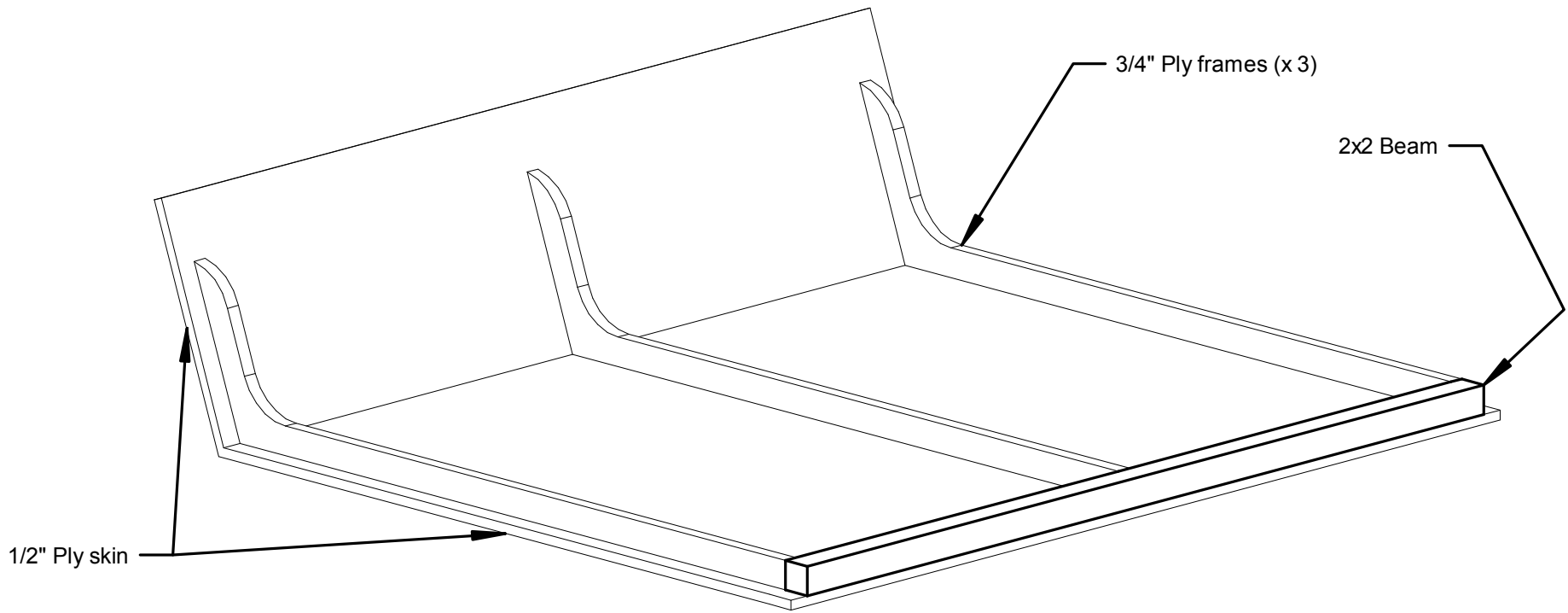
Note: All bulkhead/cabinet panels are 1/2" plywood

WEEKENDER
1:8 (at Letter)
Bulkhead/Cabinet

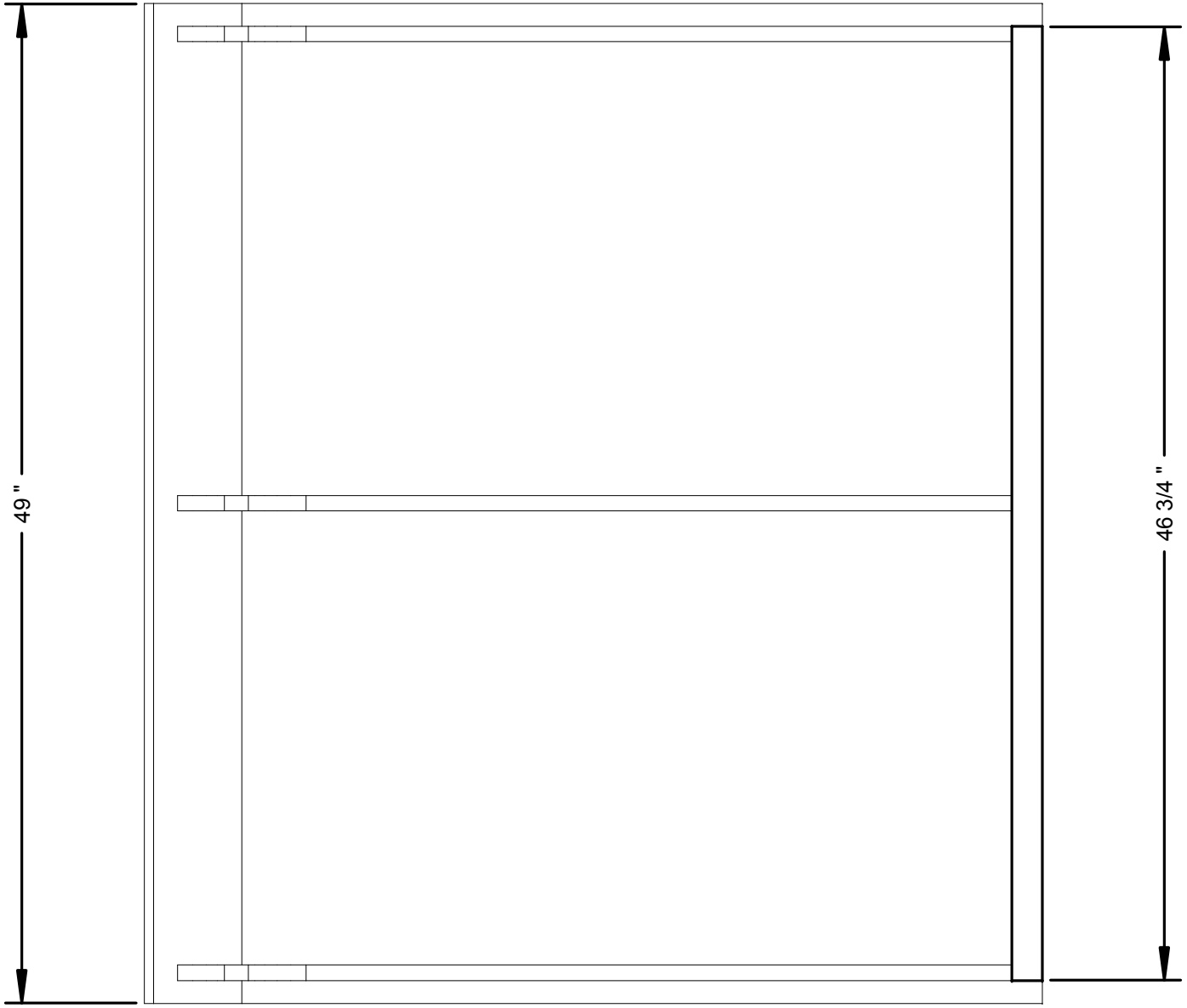


Plan View

WEEKENDER
 1:8 (at Letter)
 Bulkhead/Cabinet



WEEKENDER
1:8 (at Letter)
Hatch



Plan View under Hatch

WEEKENDER
1:8 (at Letter)
Hatch